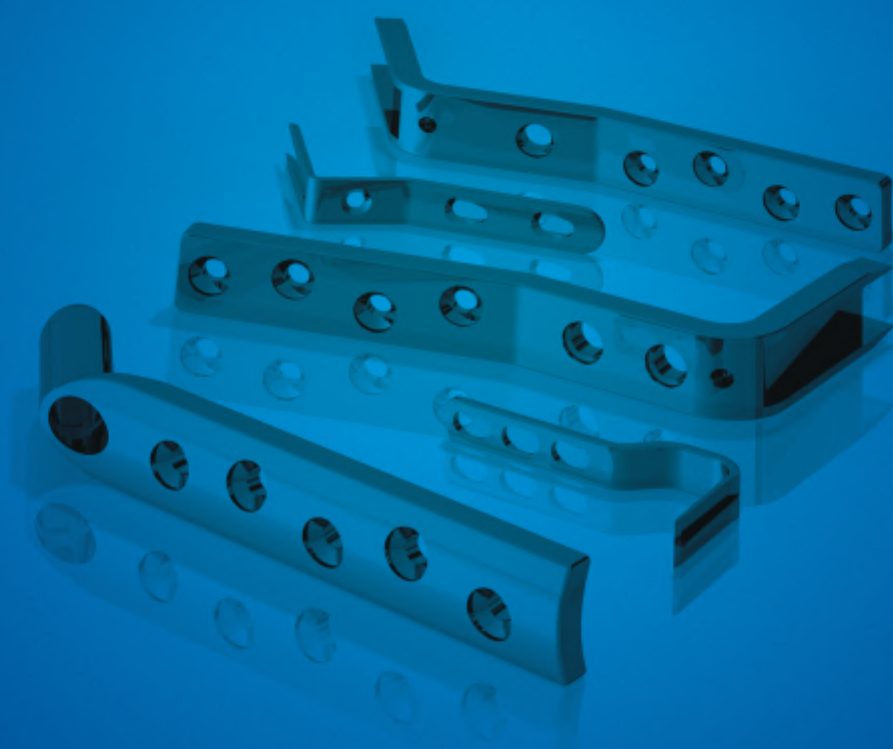
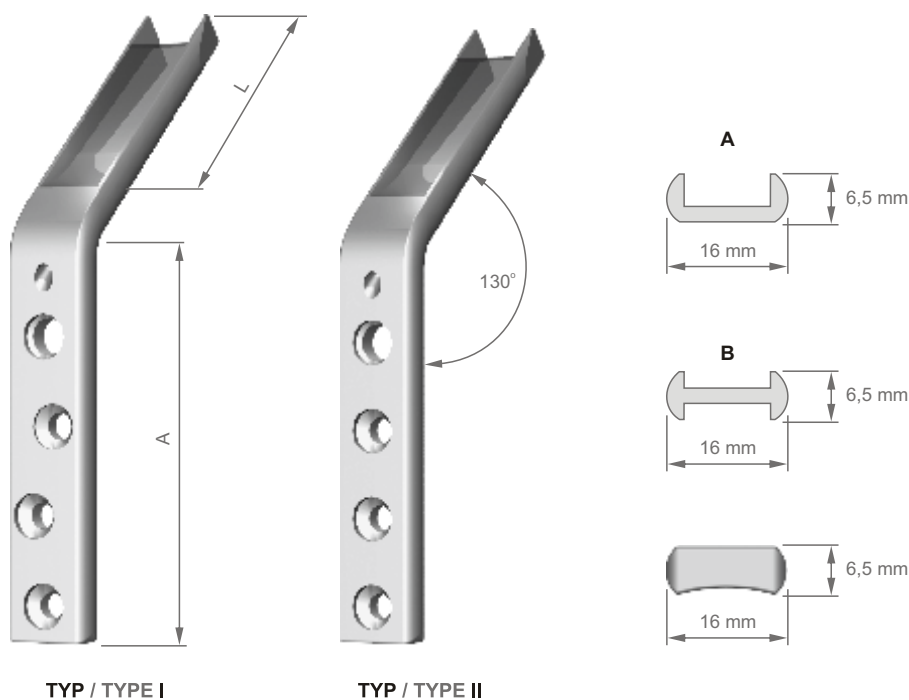


PŁYTKI KOSTNE KĄTOWE / ANGULAR BONE PLATES



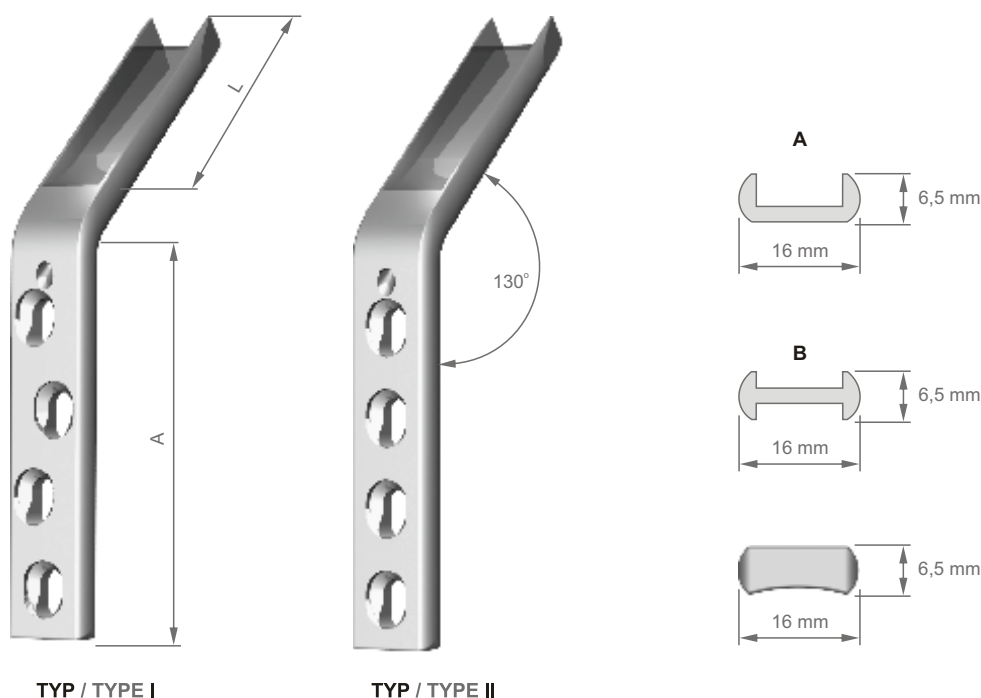
MEDGAL

polski producent - polish manufacturer



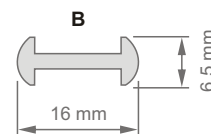
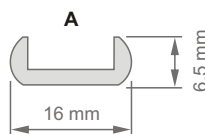
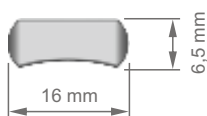
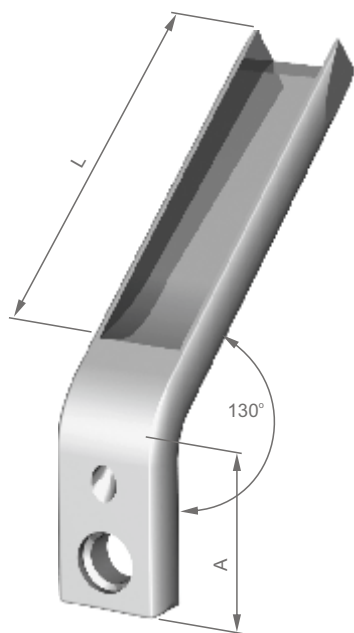
PŁYTKA KĄTOWA 130° DO ZESPOLEŃ PRZEKŁĘTARZOWYCH
ANGULAR PERTROCHANTERIC PLATE 130°
otwory pod wkręty / screws: \varnothing 4,5 / \varnothing 6,5 mm

L (mm)	A (mm)	otwory holes	TYP / TYPE I		TYP / TYPE II		L (mm)	A (mm)	otwory holes	TYP / TYPE I		TYP / TYPE II	
			A OSTRZE BLADE	B OSTRZE BLADE	A OSTRZE BLADE	B OSTRZE BLADE				A OSTRZE BLADE	B OSTRZE BLADE		
50	68	4	X-03-01-01	X-03-02-01	X-03-03-01	X-03-04-01	90	132	8	X-03-01-55	X-03-02-55	X-03-03-55	X-03-04-55
60	68	4	X-03-01-02	X-03-02-02	X-03-03-02	X-03-04-02	95	132	8	X-03-01-56	X-03-02-56	X-03-03-56	X-03-04-56
70	68	4	X-03-01-03	X-03-02-03	X-03-03-03	X-03-04-03	100	132	8	X-03-01-57	X-03-02-57	X-03-03-57	X-03-04-57
75	68	4	X-03-01-04	X-03-02-04	X-03-03-04	X-03-04-04	105	132	8	X-03-01-58	X-03-02-58	X-03-03-58	X-03-04-58
80	68	4	X-03-01-05	X-03-02-05	X-03-03-05	X-03-04-05	110	132	8	X-03-01-59	X-03-02-59	X-03-03-59	X-03-04-59
85	68	4	X-03-01-06	X-03-02-06	X-03-03-06	X-03-04-06	50	148	9	X-03-01-34	X-03-02-34	X-03-03-34	X-03-04-34
90	68	4	X-03-01-07	X-03-02-07	X-03-03-07	X-03-04-07	60	148	9	X-03-01-35	X-03-02-35	X-03-03-35	X-03-04-35
95	68	4	X-03-01-08	X-03-02-08	X-03-03-08	X-03-04-08	70	148	9	X-03-01-31	X-03-02-31	X-03-03-31	X-03-04-31
100	68	4	X-03-01-09	X-03-02-09	X-03-03-09	X-03-04-09	75	148	9	X-03-01-31/5	X-03-02-31/5	X-03-03-31/5	X-03-04-31/5
105	68	4	X-03-01-10	X-03-02-10	X-03-03-10	X-03-04-10	80	148	9	X-03-01-32	X-03-02-32	X-03-03-32	X-03-04-32
110	68	4	X-03-01-11	X-03-02-11	X-03-03-11	X-03-04-11	85	148	9	X-03-01-32/5	X-03-02-32/5	X-03-03-32/5	X-03-04-32/5
50	100	6	X-03-01-21	X-03-02-21	X-03-03-21	X-03-04-21	90	148	9	X-03-01-33	X-03-02-33	X-03-03-33	X-03-04-33
60	100	6	X-03-01-22	X-03-02-22	X-03-03-22	X-03-04-22	95	148	9	X-03-01-36	X-03-02-36	X-03-03-36	X-03-04-36
70	100	6	X-03-01-23	X-03-02-23	X-03-03-23	X-03-04-23	100	148	9	X-03-01-37	X-03-02-37	X-03-03-37	X-03-04-37
75	100	6	X-03-01-23/5	X-03-02-23/5	X-03-03-23/5	X-03-04-23/5	105	148	9	X-03-01-38	X-03-02-38	X-03-03-38	X-03-04-38
80	100	6	X-03-01-24	X-03-02-24	X-03-03-24	X-03-04-24	110	148	9	X-03-01-39	X-03-02-39	X-03-03-39	X-03-04-39
85	100	6	X-03-01-24/5	X-03-02-24/5	X-03-03-24/5	X-03-04-24/5	50	196	12	X-03-01-44	X-03-02-44	X-03-03-44	X-03-04-44
90	100	6	X-03-01-25	X-03-02-25	X-03-03-25	X-03-04-25	60	196	12	X-03-01-45	X-03-02-45	X-03-03-45	X-03-04-45
95	100	6	X-03-01-26	X-03-02-26	X-03-03-26	X-03-04-26	70	196	12	X-03-01-41	X-03-02-41	X-03-03-41	X-03-04-41
100	100	6	X-03-01-27	X-03-02-27	X-03-03-27	X-03-04-27	75	196	12	X-03-01-41/5	X-03-02-41/5	X-03-03-41/5	X-03-04-41/5
105	100	6	X-03-01-28	X-03-02-28	X-03-03-28	X-03-04-28	80	196	12	X-03-01-42	X-03-02-42	X-03-03-42	X-03-04-42
110	100	6	X-03-01-29	X-03-02-29	X-03-03-29	X-03-04-29	85	196	12	X-03-01-42/5	X-03-02-42/5	X-03-03-42/5	X-03-04-42/5
50	132	8	X-03-01-51	X-03-02-51	X-03-03-51	X-03-04-51	90	196	12	X-03-01-43	X-03-02-43	X-03-03-43	X-03-04-43
60	132	8	X-03-01-52	X-03-02-52	X-03-03-52	X-03-04-52	95	196	12	X-03-01-46	X-03-02-46	X-03-03-46	X-03-04-46
70	132	8	X-03-01-53	X-03-02-53	X-03-03-53	X-03-04-53	100	196	12	X-03-01-47	X-03-02-47	X-03-03-47	X-03-04-47
75	132	8	X-03-01-53/5	X-03-02-53/5	X-03-03-53/5	X-03-04-53/5	105	196	12	X-03-01-48	X-03-02-48	X-03-03-48	X-03-04-48
80	132	8	X-03-01-54	X-03-02-54	X-03-03-54	X-03-04-54	110	196	12	X-03-01-49	X-03-02-49	X-03-03-49	X-03-04-49
85	132	8	X-03-01-54/5	X-03-02-54/5	X-03-03-54/5	X-03-04-54/5							



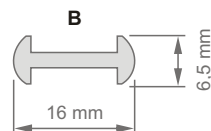
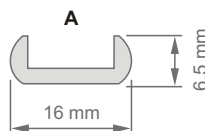
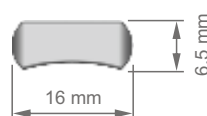
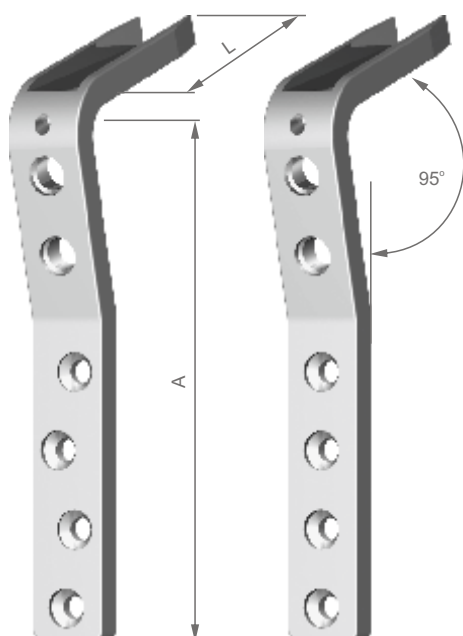
PLYTKA KĄTOWA SAMODOCISKOWA 130° DO ZESPOLEŃ PRZEZKRĘTARZOWYCH
AUTOCOMPRESSION ANGULAR PERTROCHANTERIC PLATE 130°
otwory pod wkręty / screws: ø 4,5 mm

L (mm)	A (mm)	otwory holes	TYP / TYPE I		TYP / TYPE II		L (mm)	A (mm)	otwory holes	TYP / TYPE I		TYP / TYPE II	
			A OSTRZE BLADE	B OSTRZE BLADE	A OSTRZE BLADE	B OSTRZE BLADE				A OSTRZE BLADE	B OSTRZE BLADE		
50	68	4	X-03-06-01	X-03-07-01	X-03-08-01	X-03-09-01	90	132	8	X-03-06-55	X-03-07-55	X-03-08-55	X-03-09-55
60	68	4	X-03-06-02	X-03-07-02	X-03-08-02	X-03-09-02	95	132	8	X-03-06-56	X-03-07-56	X-03-08-56	X-03-09-56
70	68	4	X-03-06-03	X-03-07-03	X-03-08-03	X-03-09-03	100	132	8	X-03-06-57	X-03-07-57	X-03-08-57	X-03-09-57
75	68	4	X-03-06-04	X-03-07-04	X-03-08-04	X-03-09-04	105	132	8	X-03-06-58	X-03-07-58	X-03-08-58	X-03-09-58
80	68	4	X-03-06-05	X-03-07-05	X-03-08-05	X-03-09-05	110	132	8	X-03-06-59	X-03-07-59	X-03-08-59	X-03-09-59
85	68	4	X-03-06-06	X-03-07-06	X-03-08-06	X-03-09-06	50	148	9	X-03-06-34	X-03-07-34	X-03-08-34	X-03-09-34
90	68	4	X-03-06-07	X-03-07-07	X-03-08-07	X-03-09-07	60	148	9	X-03-06-35	X-03-07-35	X-03-08-35	X-03-09-35
95	68	4	X-03-06-08	X-03-07-08	X-03-08-08	X-03-09-08	70	148	9	X-03-06-31	X-03-07-31	X-03-08-31	X-03-09-31
100	68	4	X-03-06-09	X-03-07-09	X-03-08-09	X-03-09-09	75	148	9	X-03-06-31/5	X-03-07-31/5	X-03-08-31/5	X-03-09-31/5
105	68	4	X-03-06-10	X-03-07-10	X-03-08-10	X-03-09-10	80	148	9	X-03-06-32	X-03-07-32	X-03-08-32	X-03-09-32
110	68	4	X-03-06-11	X-03-07-11	X-03-08-11	X-03-09-11	85	148	9	X-03-06-32/5	X-03-07-32/5	X-03-08-32/5	X-03-09-32/5
50	100	6	X-03-06-21	X-03-07-21	X-03-08-21	X-03-09-21	90	148	9	X-03-06-33	X-03-07-33	X-03-08-33	X-03-09-33
60	100	6	X-03-06-22	X-03-07-22	X-03-08-22	X-03-09-22	95	148	9	X-03-06-36	X-03-07-36	X-03-08-36	X-03-09-36
70	100	6	X-03-06-23	X-03-07-23	X-03-08-23	X-03-09-23	100	148	9	X-03-06-37	X-03-07-37	X-03-08-37	X-03-09-37
75	100	6	X-03-06-23/5	X-03-07-23/5	X-03-08-23/5	X-03-09-23/5	105	148	9	X-03-06-38	X-03-07-38	X-03-08-38	X-03-09-38
80	100	6	X-03-06-24	X-03-07-24	X-03-08-24	X-03-09-24	110	148	9	X-03-06-39	X-03-07-39	X-03-08-39	X-03-09-39
85	100	6	X-03-06-24/5	X-03-07-24/5	X-03-08-24/5	X-03-09-24/5	50	196	12	X-03-06-44	X-03-07-44	X-03-08-44	X-03-09-44
90	100	6	X-03-06-25	X-03-07-25	X-03-08-25	X-03-09-25	60	196	12	X-03-06-45	X-03-07-45	X-03-08-45	X-03-09-45
95	100	6	X-03-06-26	X-03-07-26	X-03-08-26	X-03-09-26	70	196	12	X-03-06-41	X-03-07-41	X-03-08-41	X-03-09-41
100	100	6	X-03-06-27	X-03-07-27	X-03-08-27	X-03-09-27	75	196	12	X-03-06-41/5	X-03-07-41/5	X-03-08-41/5	X-03-09-41/5
105	100	6	X-03-06-28	X-03-07-28	X-03-08-28	X-03-09-28	80	196	12	X-03-06-42	X-03-07-42	X-03-08-42	X-03-09-42
110	100	6	X-03-06-29	X-03-07-29	X-03-08-29	X-03-09-29	85	196	12	X-03-06-42/5	X-03-07-42/5	X-03-08-42/5	X-03-09-42/5
50	132	8	X-03-06-51	X-03-07-51	X-03-08-51	X-03-09-51	90	196	12	X-03-06-43	X-03-07-43	X-03-08-43	X-03-09-43
60	132	8	X-03-06-52	X-03-07-52	X-03-08-52	X-03-09-52	95	196	12	X-03-06-46	X-03-07-46	X-03-08-46	X-03-09-46
70	132	8	X-03-06-53	X-03-07-53	X-03-08-53	X-03-09-53	100	196	12	X-03-06-47	X-03-07-47	X-03-08-47	X-03-09-47
75	132	8	X-03-06-53/5	X-03-07-53/5	X-03-08-53/5	X-03-09-53/5	105	196	12	X-03-06-48	X-03-07-48	X-03-08-48	X-03-09-48
80	132	8	X-03-06-54	X-03-07-54	X-03-08-54	X-03-09-54	110	196	12	X-03-06-49	X-03-07-49	X-03-08-49	X-03-09-49
85	132	8	X-03-06-54/5	X-03-07-54/5	X-03-08-54/5	X-03-09-54/5							



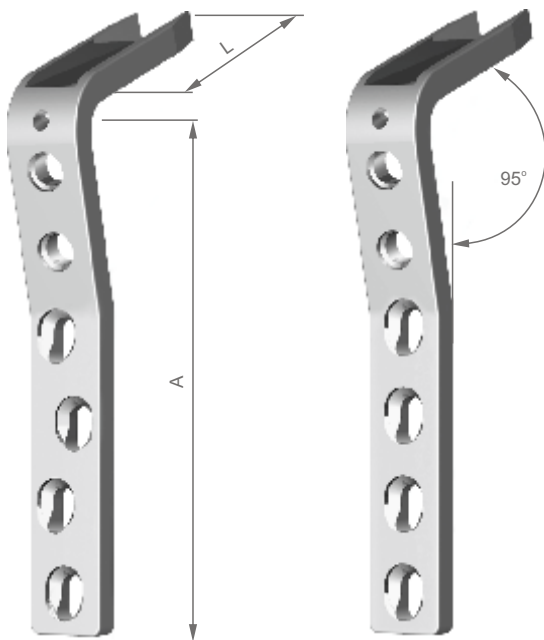
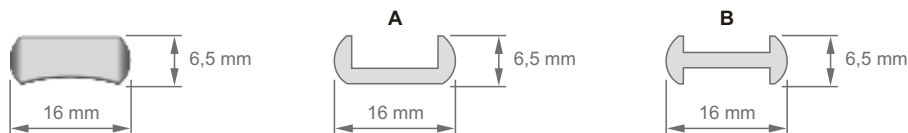
L (mm)	A (mm)	otwory holes	A OSTRZE BLADE	B OSTRZE BLADE
50	22	1	X-03-11-50	X-03-12-50
60	22	1	X-03-11-60	X-03-12-60
70	22	1	X-03-11-70	X-03-12-70
75	22	1	X-03-11-75	X-03-12-75
80	22	1	X-03-11-80	X-03-12-80
85	22	1	X-03-11-85	X-03-12-85
90	22	1	X-03-11-90	X-03-12-90
95	22	1	X-03-11-95	X-03-12-95
100	22	1	X-03-11-100	X-03-12-100
105	22	1	X-03-11-105	X-03-12-105
110	22	1	X-03-11-110	X-03-12-110
50	36	2	X-03-10-50	X-03-13-50
60	36	2	X-03-10-60	X-03-13-60
70	36	2	X-03-10-70	X-03-13-70
75	36	2	X-03-10-75	X-03-13-75
80	36	2	X-03-10-80	X-03-13-80
85	36	2	X-03-10-85	X-03-13-85
90	36	2	X-03-10-90	X-03-13-90
95	36	2	X-03-10-95	X-03-13-95
100	36	2	X-03-10-100	X-03-13-100
105	36	2	X-03-10-105	X-03-13-105
110	36	2	X-03-10-110	X-03-13-110

▲
PŁYTKA KĄTOWA 130° DO SZYJKI KOŚCI UDOWEJ
FEMORAL NECK PLATE 130°
otwory pod wkręty / screws: \varnothing 4,5 / \varnothing 6,5 mm



L (mm)	A (mm)	otwory holes	TYP / TYPE I		TYP / TYPE II	
			A OSTRZE BLADE	B OSTRZE BLADE	A OSTRZE BLADE	B OSTRZE BLADE
50	92	5	X-03-14-01	X-03-15-01	X-03-16-01	X-03-17-01
60	92	5	X-03-14-02	X-03-15-02	X-03-16-02	X-03-17-02
70	92	5	X-03-14-03	X-03-15-03	X-03-16-03	X-03-17-03
80	92	5	X-03-14-04	X-03-15-04	X-03-16-04	X-03-17-04
90	92	5	X-03-14-05	X-03-15-05	X-03-16-05	X-03-17-05
50	108	6	X-03-14-06	X-03-15-06	X-03-16-06	X-03-17-06
60	108	6	X-03-14-07	X-03-15-07	X-03-16-07	X-03-17-07
70	108	6	X-03-14-08	X-03-15-08	X-03-16-08	X-03-17-08
80	108	6	X-03-14-09	X-03-15-09	X-03-16-09	X-03-17-09
90	108	6	X-03-14-10	X-03-15-10	X-03-16-10	X-03-17-10
50	124	7	X-03-14-11	X-03-15-11	X-03-16-11	X-03-17-11
60	124	7	X-03-14-12	X-03-15-12	X-03-16-12	X-03-17-12
70	124	7	X-03-14-13	X-03-15-13	X-03-16-13	X-03-17-13
80	124	7	X-03-14-14	X-03-15-14	X-03-16-14	X-03-17-14
90	124	7	X-03-14-15	X-03-15-15	X-03-16-15	X-03-17-15
50	156	9	X-03-14-21	X-03-15-21	X-03-16-21	X-03-17-21
60	156	9	X-03-14-22	X-03-15-22	X-03-16-22	X-03-17-22
70	156	9	X-03-14-23	X-03-15-23	X-03-16-23	X-03-17-23
80	156	9	X-03-14-24	X-03-15-24	X-03-16-24	X-03-17-24
90	156	9	X-03-14-25	X-03-15-25	X-03-16-25	X-03-17-25
50	204	12	X-03-14-31	X-03-15-31	X-03-16-31	X-03-17-31
60	204	12	X-03-14-32	X-03-15-32	X-03-16-32	X-03-17-32
70	204	12	X-03-14-33	X-03-15-33	X-03-16-33	X-03-17-33
80	204	12	X-03-14-34	X-03-15-34	X-03-16-34	X-03-17-34
90	204	12	X-03-14-35	X-03-15-35	X-03-16-35	X-03-17-35

▲
PŁYTKA KĄTOWA 95°
ANGULAR PLATE 95°
otwory pod wkręty / screws: \varnothing 4,5 / \varnothing 6,5 mm



TYP / TYPE I

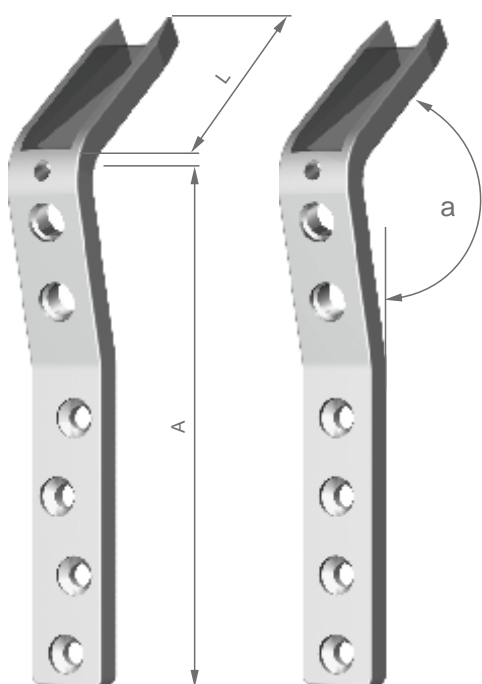
TYP / TYPE II

PLYTKA KĄTOWA 95° SAMODOCISKOWA

AUTOCOMPRESSION ANGULAR PLATE 95°

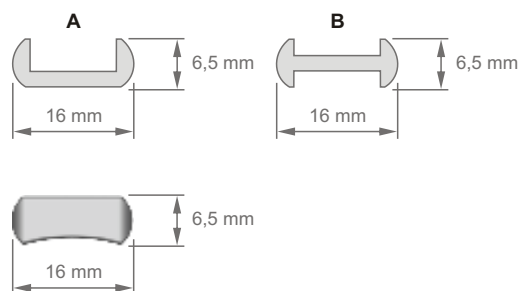
otwory pod wkręty / screws: \varnothing 4,5 / \varnothing 6,5 mm

L (mm)	A (mm)	otwory holes	TYP / TYPE I		TYP / TYPE II	
			A OSTRZE BLADE	B OSTRZE BLADE	A OSTRZE BLADE	B OSTRZE BLADE
50	92	5	X-03-19-01	X-03-20-01	X-03-21-01	X-03-22-01
60	92	5	X-03-19-02	X-03-20-02	X-03-21-02	X-03-22-02
70	92	5	X-03-19-03	X-03-20-03	X-03-21-03	X-03-22-03
80	92	5	X-03-19-04	X-03-20-04	X-03-21-04	X-03-22-04
90	92	5	X-03-19-05	X-03-20-05	X-03-21-05	X-03-22-05
50	108	6	X-03-19-06	X-03-20-06	X-03-21-06	X-03-22-06
60	108	6	X-03-19-07	X-03-20-07	X-03-21-07	X-03-22-07
70	108	6	X-03-19-08	X-03-20-08	X-03-21-08	X-03-22-08
80	108	6	X-03-19-09	X-03-20-09	X-03-21-09	X-03-22-09
90	108	6	X-03-19-10	X-03-20-10	X-03-21-10	X-03-22-10
50	124	7	X-03-19-11	X-03-20-11	X-03-21-11	X-03-22-11
60	124	7	X-03-19-12	X-03-20-12	X-03-21-12	X-03-22-12
70	124	7	X-03-19-13	X-03-20-13	X-03-21-13	X-03-22-13
80	124	7	X-03-19-14	X-03-20-14	X-03-21-14	X-03-22-14
90	124	7	X-03-19-15	X-03-20-15	X-03-21-15	X-03-22-15
50	156	9	X-03-19-21	X-03-20-21	X-03-21-21	X-03-22-21
60	156	9	X-03-19-22	X-03-20-22	X-03-21-22	X-03-22-22
70	156	9	X-03-19-23	X-03-20-23	X-03-21-23	X-03-22-23
80	156	9	X-03-19-24	X-03-20-24	X-03-21-24	X-03-22-24
90	156	9	X-03-19-25	X-03-20-25	X-03-21-25	X-03-22-25
50	204	12	X-03-19-31	X-03-20-31	X-03-21-31	X-03-22-31
60	204	12	X-03-19-32	X-03-20-32	X-03-21-32	X-03-22-32
70	204	12	X-03-19-33	X-03-20-33	X-03-21-33	X-03-22-33
80	204	12	X-03-19-34	X-03-20-34	X-03-21-34	X-03-22-34
90	204	12	X-03-19-35	X-03-20-35	X-03-21-35	X-03-22-35



TYP / TYPE I

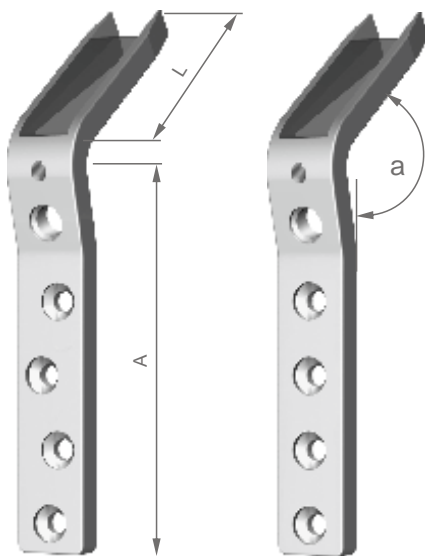
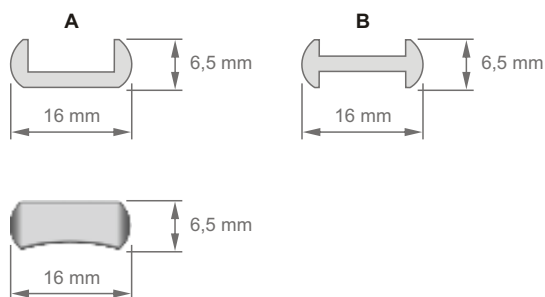
TYP / TYPE II



▶ **PLYTKA KĄTOWA
DO OSTEOTOMII MIĘDZYKRĘTARZOWEJ
ANGULAR PLATE
FOR TROCHANTER OSTEOTOMY**

otwory pod wkręty / screws: \varnothing 4,5 / \varnothing 6,5 mm

α (°)	L (mm)	A (mm)	otwory holes	TYP / TYPE I		TYP / TYPE II	
				A OSTRZE BLADE	B OSTRZE BLADE	A OSTRZE BLADE	B OSTRZE BLADE
105	50	106	6	X-03-87-10	X-03-87-20	X-03-87-30	X-03-87-40
105	60	106	6	X-03-87-11	X-03-87-21	X-03-87-31	X-03-87-41
105	70	106	6	X-03-87-12	X-03-87-22	X-03-87-32	X-03-87-42
105	80	106	6	X-03-87-13	X-03-87-23	X-03-87-33	X-03-87-43
105	90	106	6	X-03-87-14	X-03-87-24	X-03-87-34	X-03-87-44
105	100	106	6	X-03-87-15	X-03-87-25	X-03-87-35	X-03-87-45
110	50	106	6	X-03-88-10	X-03-88-20	X-03-88-30	X-03-88-40
110	60	106	6	X-03-88-11	X-03-88-21	X-03-88-31	X-03-88-41
110	70	106	6	X-03-88-12	X-03-88-22	X-03-88-32	X-03-88-42
110	80	106	6	X-03-88-13	X-03-88-23	X-03-88-33	X-03-88-43
110	90	106	6	X-03-88-14	X-03-88-24	X-03-88-34	X-03-88-44
110	100	106	6	X-03-88-15	X-03-88-25	X-03-88-35	X-03-88-45
115	50	106	6	X-03-89-10	X-03-89-20	X-03-89-30	X-03-89-40
115	60	106	6	X-03-89-11	X-03-89-21	X-03-89-31	X-03-89-41
115	70	106	6	X-03-89-12	X-03-89-22	X-03-89-32	X-03-89-42
115	80	106	6	X-03-89-13	X-03-89-23	X-03-89-33	X-03-89-43
115	90	106	6	X-03-89-14	X-03-89-24	X-03-89-34	X-03-89-44
115	100	106	6	X-03-89-15	X-03-89-25	X-03-89-35	X-03-89-45
120	50	106	6	X-03-90-10	X-03-90-20	X-03-90-30	X-03-90-40
120	60	106	6	X-03-90-11	X-03-90-21	X-03-90-31	X-03-90-41
120	70	106	6	X-03-90-12	X-03-90-22	X-03-90-32	X-03-90-42
120	80	106	6	X-03-90-13	X-03-90-23	X-03-90-33	X-03-90-43
120	90	106	6	X-03-90-14	X-03-90-24	X-03-90-34	X-03-90-44
120	100	106	6	X-03-90-15	X-03-90-25	X-03-90-35	X-03-90-45
125	50	106	6	X-03-91-10	X-03-91-20	X-03-91-30	X-03-91-40
125	60	106	6	X-03-91-11	X-03-91-21	X-03-91-31	X-03-91-41
125	70	106	6	X-03-91-12	X-03-91-22	X-03-91-32	X-03-91-42
125	80	106	6	X-03-91-13	X-03-91-23	X-03-91-33	X-03-91-43
125	90	106	6	X-03-91-14	X-03-91-24	X-03-91-34	X-03-91-44
125	100	106	6	X-03-91-15	X-03-91-25	X-03-91-35	X-03-91-45
130	50	106	6	X-03-92-10	X-03-92-20	X-03-92-30	X-03-92-40
130	60	106	6	X-03-92-11	X-03-92-21	X-03-92-31	X-03-92-41
130	70	106	6	X-03-92-12	X-03-92-22	X-03-92-32	X-03-92-42
130	80	106	6	X-03-92-13	X-03-92-23	X-03-92-33	X-03-92-43
130	90	106	6	X-03-92-14	X-03-92-24	X-03-92-34	X-03-92-44
130	100	106	6	X-03-92-15	X-03-92-25	X-03-92-35	X-03-92-45



TYP / TYPE I

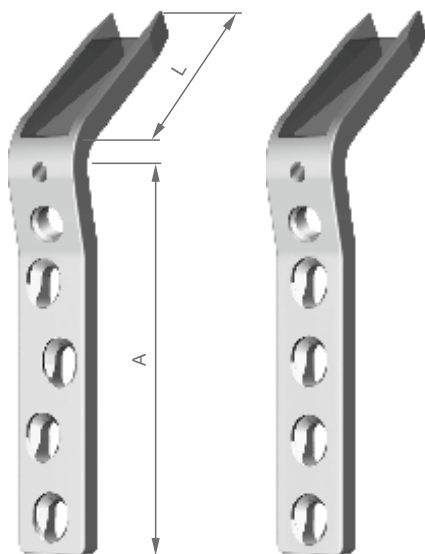
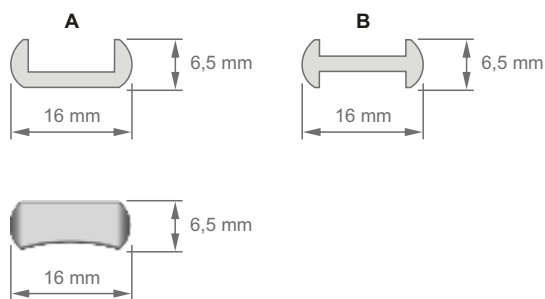
TYP / TYPE II

PŁYTKA KĄTOWA 110° ,120° ,130°

ANGULAR PLATE 110° ,120° ,130°

otwory pod wkręty / screws: \varnothing 4,5 / \varnothing 6,5 mm

α (°)	L (mm)	A (mm)	TYP / TYPE I		TYP / TYPE II	
			A OSTRZE BLADE	B OSTRZE BLADE	A OSTRZE BLADE	B OSTRZE BLADE
110	65	85	X-03-24-01	X-03-25-01	X-03-26-01	X-03-27-01
110	75	85	X-03-24-02	X-03-25-02	X-03-26-02	X-03-27-02
110	85	85	X-03-24-03	X-03-25-03	X-03-26-03	X-03-27-03
120	65	85	X-03-24-11	X-03-25-11	X-03-26-11	X-03-27-11
120	75	85	X-03-24-12	X-03-25-12	X-03-26-12	X-03-27-12
120	85	85	X-03-24-13	X-03-25-13	X-03-26-13	X-03-27-13
130	65	85	X-03-24-21	X-03-25-21	X-03-26-21	X-03-27-21
130	70	85	X-03-24-22	X-03-25-22	X-03-26-22	X-03-27-22
130	75	85	X-03-24-23	X-03-25-23	X-03-26-23	X-03-27-23
130	80	85	X-03-24-24	X-03-25-24	X-03-26-24	X-03-27-24
130	85	85	X-03-24-25	X-03-25-25	X-03-26-25	X-03-27-25
130	90	85	X-03-24-26	X-03-25-26	X-03-26-26	X-03-27-26
130	95	85	X-03-24-27	X-03-25-27	X-03-26-27	X-03-27-27
130	100	85	X-03-24-28	X-03-25-28	X-03-26-28	X-03-27-28
130	105	85	X-03-24-29	X-03-25-29	X-03-26-29	X-03-27-29
130	110	85	X-03-24-30	X-03-25-30	X-03-26-30	X-03-27-30

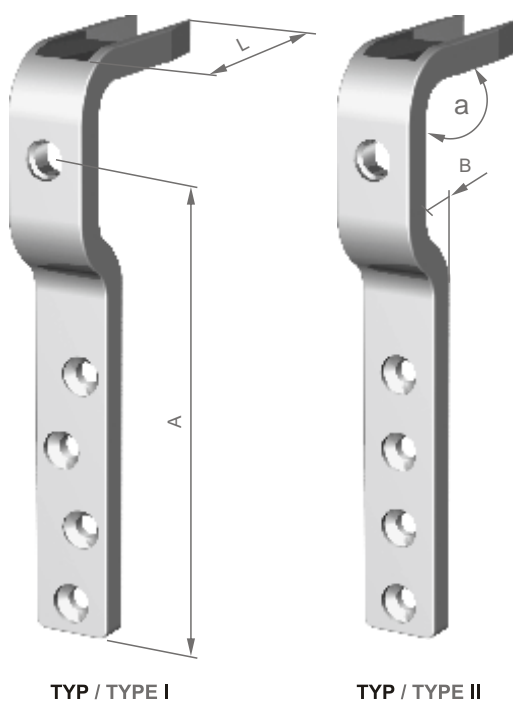
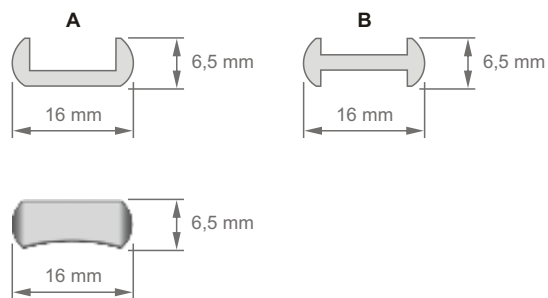


TYP / TYPE I

TYP / TYPE II

▲
PŁYTKA KĄTOWA SAMODOCISKOWA 110° ,120° ,130°
AUTOCOMPRESSION ANGULAR PLATE 110° ,120° ,130°
otwory pod wkręty / screws: \varnothing 4,5 / \varnothing 6,5 mm

α (°)	L (mm)	A (mm)	TYP / TYPE I		TYP / TYPE II	
			A OSTRZE BLADE	B OSTRZE BLADE	A OSTRZE BLADE	B OSTRZE BLADE
110	65	85	X-03-29-01	X-03-30-01	X-03-31-01	X-03-32-01
110	75	85	X-03-29-02	X-03-30-02	X-03-31-02	X-03-32-02
110	85	85	X-03-29-03	X-03-30-03	X-03-31-03	X-03-32-03
120	65	85	X-03-29-11	X-03-30-11	X-03-31-11	X-03-32-11
120	75	85	X-03-29-12	X-03-30-12	X-03-31-12	X-03-32-12
120	85	85	X-03-29-13	X-03-30-13	X-03-31-13	X-03-32-13
130	65	85	X-03-29-21	X-03-30-21	X-03-31-21	X-03-32-21
130	70	85	X-03-29-22	X-03-30-22	X-03-31-22	X-03-32-22
130	75	85	X-03-29-23	X-03-30-23	X-03-31-23	X-03-32-23
130	80	85	X-03-29-24	X-03-30-24	X-03-31-24	X-03-32-24
130	85	85	X-03-29-25	X-03-30-25	X-03-31-25	X-03-32-25
130	90	85	X-03-29-26	X-03-30-26	X-03-31-26	X-03-32-26
130	95	85	X-03-29-27	X-03-30-27	X-03-31-27	X-03-32-27
130	100	85	X-03-29-28	X-03-30-28	X-03-31-28	X-03-32-28
130	105	85	X-03-29-29	X-03-30-29	X-03-31-29	X-03-32-29
130	110	85	X-03-29-30	X-03-30-30	X-03-31-30	X-03-32-30

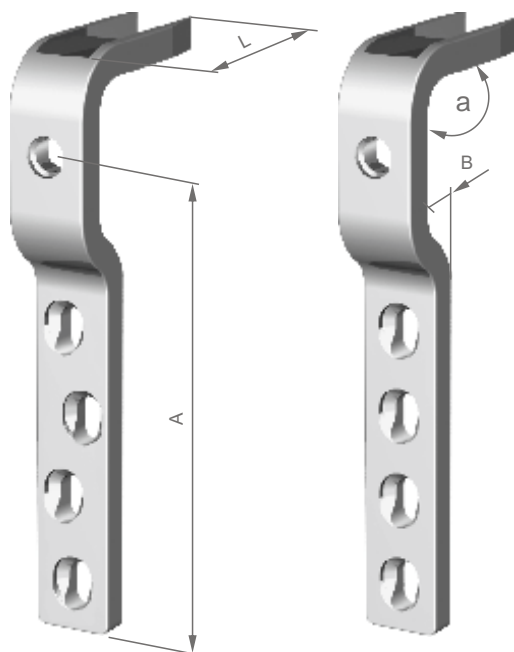
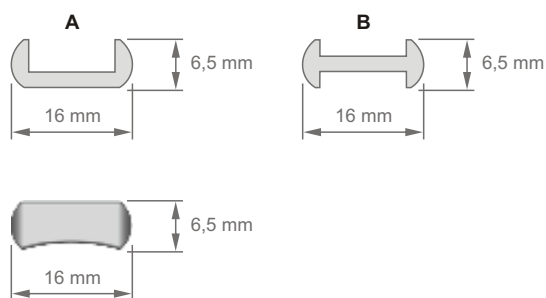


PLYTKA KĄTOWA 90° ,100°

ANGULAR PLATE 90° ,100°

otwory pod wkręty / screws: \varnothing 4,5 / \varnothing 6,5 mm

α (°)	L (mm)	A (mm)	B (mm)	TYP / TYPE I		TYP / TYPE II	
				A OSTRZE BLADE	B OSTRZE BLADE	A OSTRZE BLADE	B OSTRZE BLADE
90	40	100	10	X-03-34-40	X-03-35-40	X-03-36-40	X-03-37-40
90	50	100	15	X-03-34-50	X-03-35-50	X-03-36-50	X-03-37-50
90	60	100	15	X-03-34-60	X-03-35-60	X-03-36-60	X-03-37-60
90	70	100	20	X-03-34-70	X-03-35-70	X-03-36-70	X-03-37-70
100	80	100	20	X-03-34-80	X-03-35-80	X-03-36-80	X-03-37-80

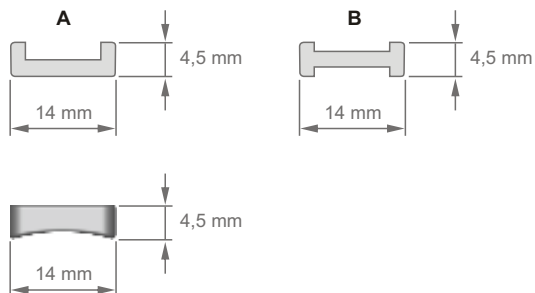
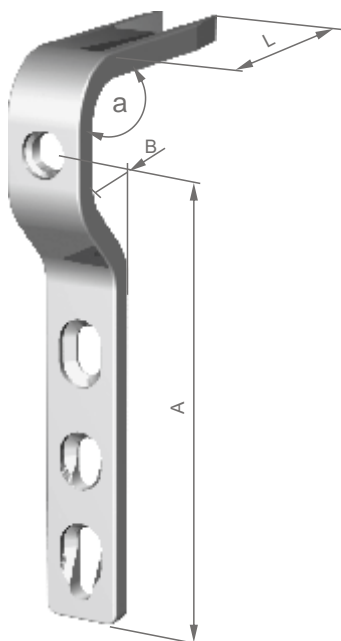


TYP / TYPE I

TYP / TYPE II

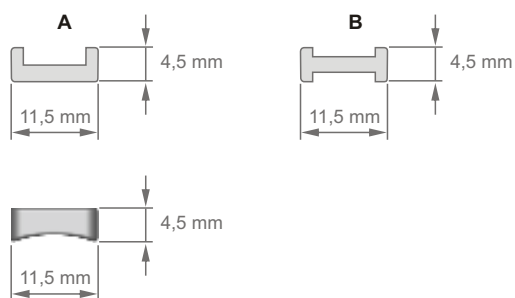
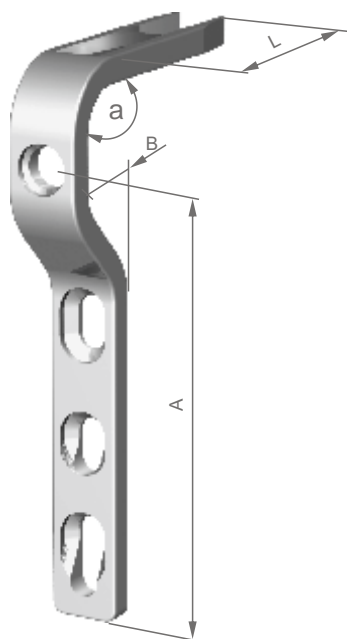
▲
PŁYTKA KĄTOWA SAMODOCISKOWA 90°
AUTOCOMPRESSION ANGULAR PLATE 90°
otwory pod wkręty / screws: \varnothing 4,5 / \varnothing 6,5 mm

α (°)	L (mm)	A (mm)	B (mm)	TYP / TYPE I		TYP / TYPE II	
				A OSTRZE BLADE	B OSTRZE BLADE	A OSTRZE BLADE	B OSTRZE BLADE
90	40	100	12	X-03-39-01	X-03-40-01	X-03-41-01	X-03-42-01
90	50	100	12	X-03-39-02	X-03-40-02	X-03-41-02	X-03-42-02
90	60	100	12	X-03-39-03	X-03-40-03	X-03-41-03	X-03-42-03
90	70	100	12	X-03-39-04	X-03-40-04	X-03-41-04	X-03-42-04
90	80	100	12	X-03-39-05	X-03-40-05	X-03-41-05	X-03-42-05
90	40	100	24	X-03-39-11	X-03-40-11	X-03-41-11	X-03-42-11
90	50	100	24	X-03-39-12	X-03-40-12	X-03-41-12	X-03-42-12
90	60	100	24	X-03-39-13	X-03-40-13	X-03-41-13	X-03-42-13
90	70	100	24	X-03-39-14	X-03-40-14	X-03-41-14	X-03-42-14
90	80	100	24	X-03-39-15	X-03-40-15	X-03-41-15	X-03-42-15



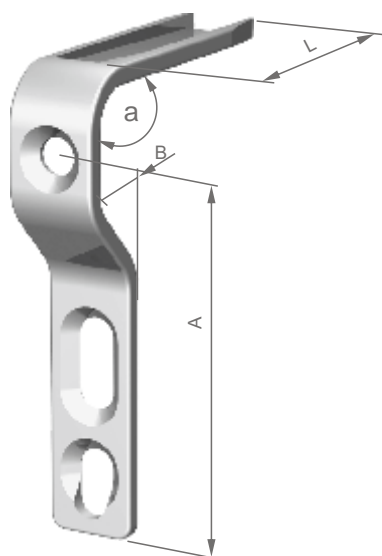
PLYTKA KĄTOWA SAMODOCISKOWA 90°
AUTOCOMPRESSION ANGULAR PLATE 90°
 otwory pod wkręty / screws: \varnothing 4,5 / \varnothing 6,5 mm

α (°)	L (mm)	A (mm)	B (mm)	A OSTRZE BLADE	B OSTRZE BLADE
90	45	95	12	X-03-44-45	X-03-45-45
90	50	95	12	X-03-44-50	X-03-45-50

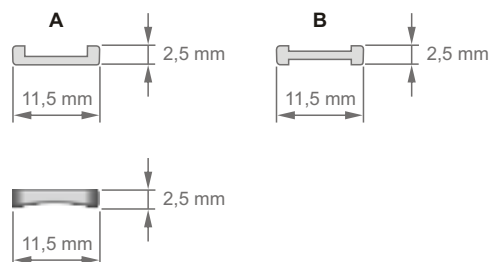


PLYTKA KĄTOWA SAMODOCISKOWA 90°
AUTOCOMPRESSION ANGULAR PLATE 90°
 otwory pod wkręty / screws: \varnothing 4,5 / \varnothing 6,5 mm

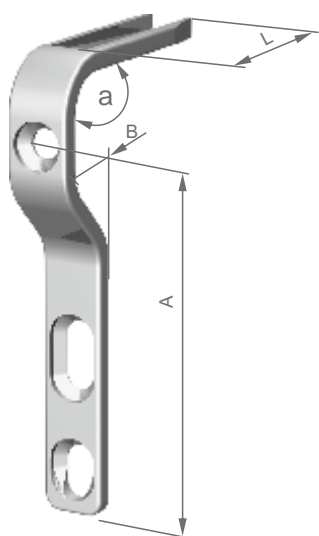
α (°)	L (mm)	A (mm)	B (mm)	A OSTRZE BLADE	B OSTRZE BLADE
90	30	75	12	X-03-47-30	X-03-48-30
90	35	75	12	X-03-47-35	X-03-48-35
90	40	75	12	X-03-47-40	X-03-48-40
90	45	75	12	X-03-47-45	X-03-48-45
90	50	75	12	X-03-47-50	X-03-48-50
90	55	75	13	X-03-47-55	X-03-48-55



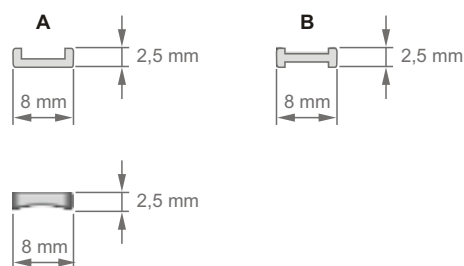
**PŁYTKA KĄTOWA SAMODOCISKOWA 90°
AUTOCOMPRESSION ANGULAR PLATE 90°
otwory pod wkręty / screws: \varnothing 4,5**



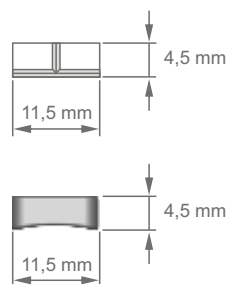
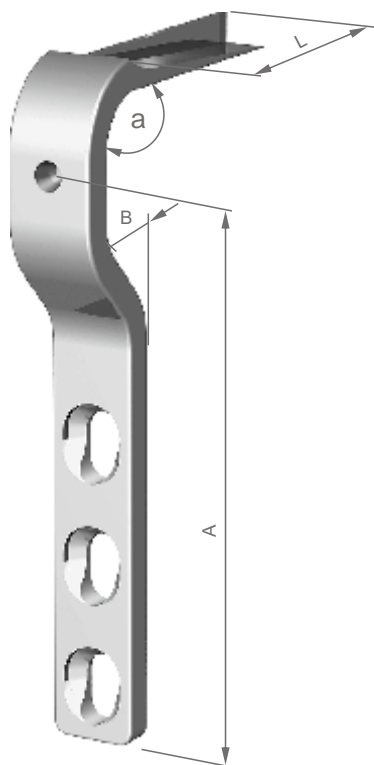
α (°)	L (mm)	A (mm)	B (mm)	A OSTRZE BLADE	B OSTRZE BLADE
90	20	50	9	X-03-50-20	X-03-51-20
90	30	50	9	X-03-50-30	X-03-51-30
90	35	50	9	X-03-50-35	X-03-51-35
90	40	50	9	X-03-50-40	X-03-51-40



**PŁYTKA KĄTOWA SAMODOCISKOWA 90°
AUTOCOMPRESSION ANGULAR PLATE 90°
otwory pod wkręty / screws: \varnothing 3,5**

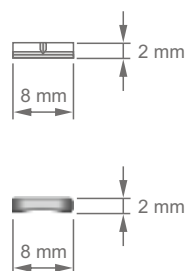
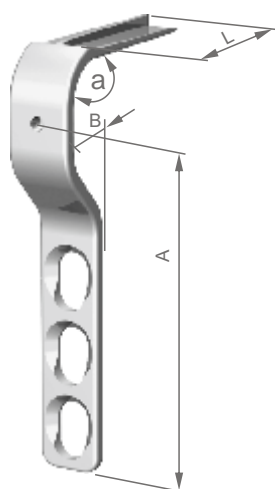


α (°)	L (mm)	A (mm)	B (mm)	A OSTRZE BLADE	B OSTRZE BLADE
90	20	48	8	X-03-53-20	X-03-54-20
90	25	48	8	X-03-53-25	X-03-54-25
90	30	48	8	X-03-53-30	X-03-54-30



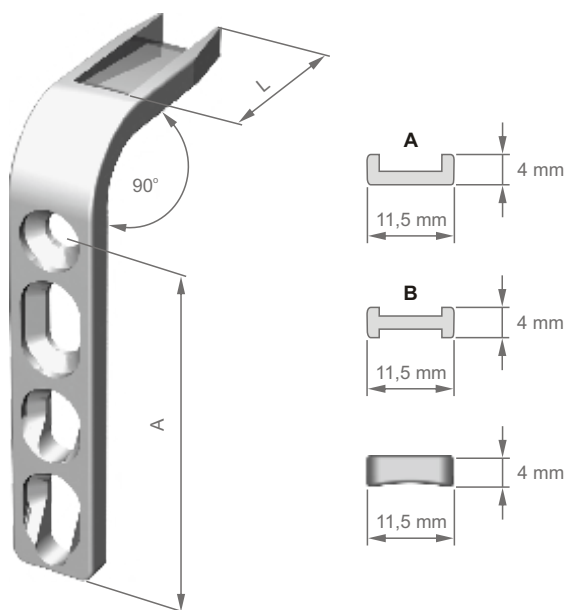
PŁYTKA KĄTOWA SAMODOCISKOWA
AUTOCOMPRESSION ANGULAR PLATE
otwory pod wkręty / screws: \varnothing 4,5 mm

α (°)	L (mm)	A (mm)	B (mm)	Nr kat.
90	40	75	10	X-03-56-01
90	50	75	10	X-03-56-02
90	40	75	15	X-03-56-03
90	50	75	15	X-03-56-04
80	35	70	8	X-03-56-05
80	45	70	8	X-03-56-06
90	35	70	8	X-03-56-07
90	45	70	8	X-03-56-08
100	35	70	8	X-03-56-09
100	45	70	8	X-03-56-10



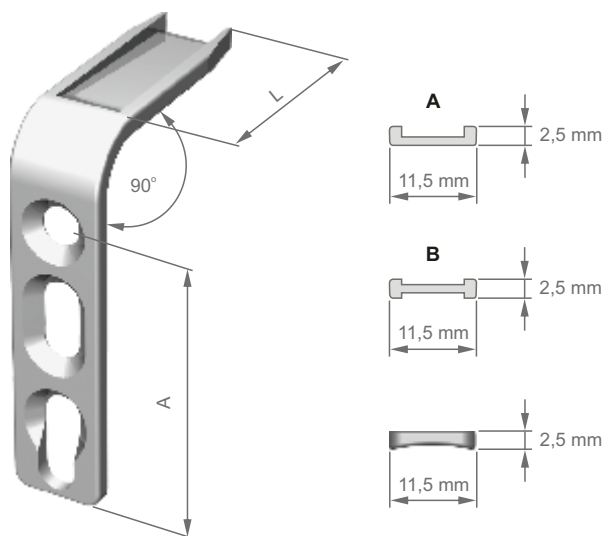
PŁYTKA KĄTOWA SAMODOCISKOWA
AUTOCOMPRESSION ANGULAR PLATE
otwory pod wkręty / screws: \varnothing 3,5 / \varnothing 4,0 mm

α (°)	L (mm)	A (mm)	B (mm)	Nr kat.
90	25	45	7	X-02-58-01
90	32	45	7	X-02-58-02
90	25	45	12	X-02-58-03
90	32	45	12	X-02-58-04



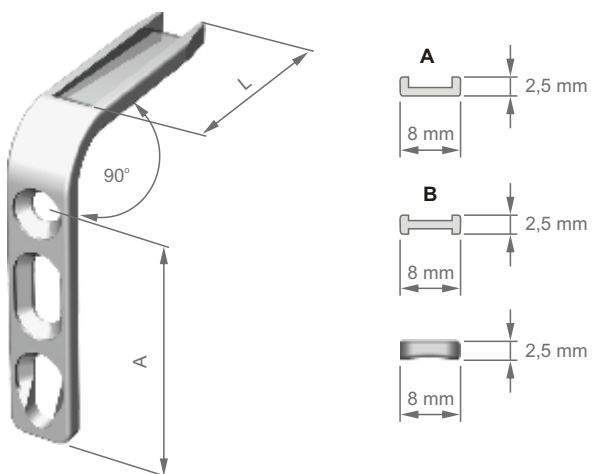
**▶ PŁYTKA KĄTOWA SAMODOCISKOWA 90°
AUTOCOMPRESSION ANGULAR PLATE 90°
otwory pod wkręty / screws: \varnothing 4,5 mm**

L (mm)	A (mm)	A OSTRZE BLADE	B OSTRZE BLADE
30	47	X-03-60-01	X-03-61-01
35	47	X-03-60-02	X-03-61-02
40	47	X-03-60-03	X-03-61-03
45	47	X-03-60-04	X-03-61-04
30	65	X-03-60-10	X-03-61-10
35	65	X-03-60-11	X-03-61-11
40	65	X-03-60-12	X-03-61-12
45	65	X-03-60-13	X-03-61-13
30	75	X-03-60-20	X-03-61-20
35	75	X-03-60-21	X-03-61-21
40	75	X-03-60-22	X-03-61-22
45	75	X-03-60-23	X-03-61-23



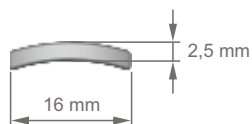
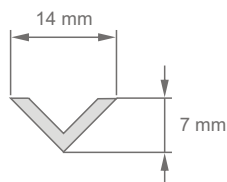
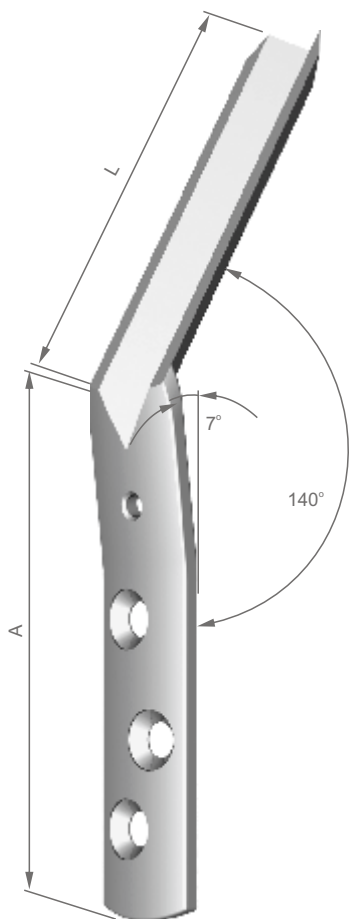
**▶ PŁYTKA KĄTOWA SAMODOCISKOWA 90°
AUTOCOMPRESSION ANGULAR PLATE 90°
otwory pod wkręty / screws: \varnothing 4,5 mm**

L (mm)	A (mm)	A OSTRZE BLADE	B OSTRZE BLADE
20	35	X-03-63-20	X-03-64-20
25	35	X-03-63-25	X-03-64-25
30	35	X-03-63-30	X-03-64-30



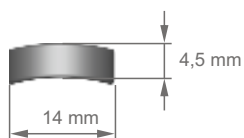
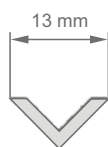
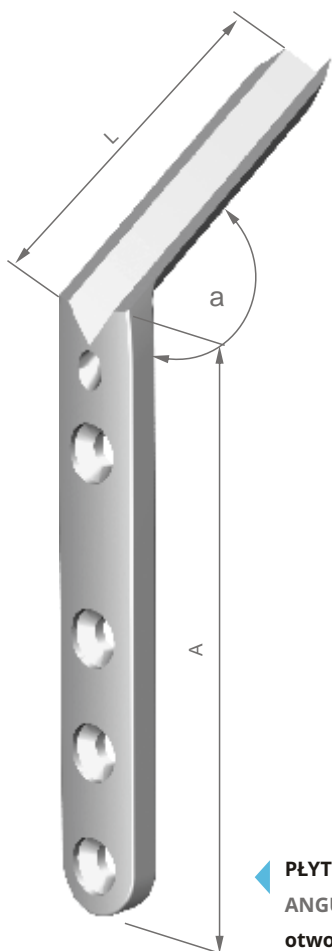
**▶ PŁYTKA KĄTOWA SAMODOCISKOWA 90°
AUTOCOMPRESSION ANGULAR PLATE 90°
otwory pod wkręty / screws: \varnothing 3,5 mm**

L (mm)	A (mm)	A OSTRZE BLADE	B OSTRZE BLADE
20	40	X-03-66-20	X-03-67-20
25	40	X-03-66-25	X-03-67-25
30	40	X-03-66-30	X-03-67-30



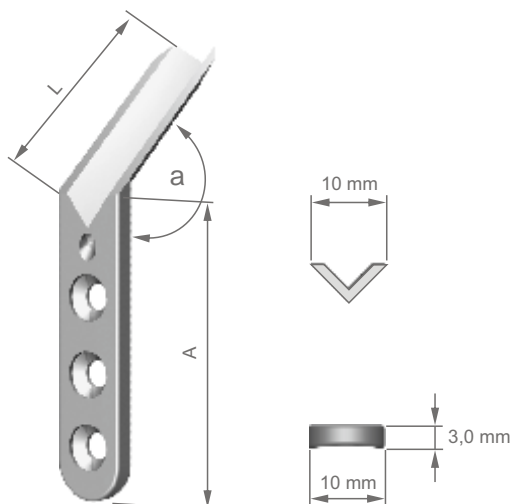
**◀ PŁYTKA NEUFELD
NEUFELD PLATE**
otwory pod wkręty / screws: \varnothing 4,5 mm

L (mm)	A (mm)	Nr kat.
60	70	X-06-32-60
70	90	X-06-32-70
80	110	X-06-32-80
90	130	X-06-32-90



**◀ PŁYTKA KĄTOWA
ANGULAR PLATE**
otwory pod wkręty / screws: \varnothing 4,5 mm

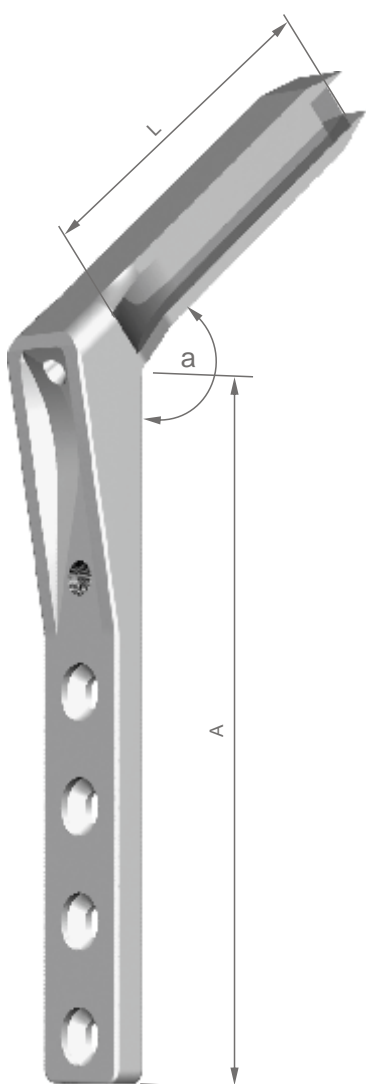
α (°)	L (mm)	A (mm)	otwory holes	Nr kat.
125	30	80	4	X-03-68- 01
125	35	80	4	X-03-68- 02
125	40	80	4	X-03-68- 03
125	45	80	4	X-03-68- 04
125	50	80	4	X-03-68- 05
125	60	80	4	X-03-68- 06
135	30	80	4	X-03-68- 11
135	35	80	4	X-03-68- 12
135	40	80	4	X-03-68- 13
135	45	80	4	X-03-68- 14
135	50	80	4	X-03-68- 15
135	60	80	4	X-03-68- 16
135	70	80	4	X-03-68- 17
135	80	80	4	X-03-68- 18
135	90	80	4	X-03-68- 19
135	100	80	4	X-03-68- 20
135	110	80	4	X-03-68- 21
135	70	110	6	X-03-68- 07
135	90	110	6	X-03-68- 08
135	50	115	6	X-03-68- 31
135	60	115	6	X-03-68- 32
135	70	115	6	X-03-68- 33
135	80	115	6	X-03-68- 34
135	90	115	6	X-03-68- 35
135	100	115	6	X-03-68- 36
135	110	115	6	X-03-68- 37
135	50	150	8	X-03-68- 51
135	60	150	8	X-03-68- 52
135	70	150	8	X-03-68- 53
135	80	150	8	X-03-68- 54
135	90	150	8	X-03-68- 55
135	100	150	8	X-03-68- 56
135	110	150	8	X-03-68- 57



**PLYTKA KĄTOWA
ANGULAR PLATE**

otwory pod wkręty / screws: \varnothing 3,5 mm

L (mm)	A (mm)	otwory holes	$\alpha = 120^\circ$	$\alpha = 125^\circ$	$\alpha = 130^\circ$	$\alpha = 135^\circ$
15	30	2	X-03-69-01	X-03-70-01	X-03-71-01	X-03-72-01
20	30	2	X-03-69-02	X-03-70-02	X-03-71-02	X-03-72-02
25	30	2	X-03-69-03	X-03-70-03	X-03-71-03	X-03-72-03
20	40	3	X-03-69-04	X-03-70-04	X-03-71-04	X-03-72-04
25	40	3	X-03-69-05	X-03-70-05	X-03-71-05	X-03-72-05
30	40	3	X-03-69-06	X-03-70-06	X-03-71-06	X-03-72-06
20	45	3	X-03-69-07	X-03-70-07	X-03-71-07	X-03-72-07
25	45	3	X-03-69-08	X-03-70-08	X-03-71-08	X-03-72-08
30	45	3	X-03-69-09	X-03-70-09	X-03-71-09	X-03-72-09
25	50	3	X-03-69-10	X-03-70-10	X-03-71-10	X-03-72-10
30	50	3	X-03-69-11	X-03-70-11	X-03-71-11	X-03-72-11
35	50	3	X-03-69-12	X-03-70-12	X-03-71-12	X-03-72-12
40	50	3	X-03-69-13	X-03-70-13	X-03-71-13	X-03-72-13
40	60	3	X-03-69-14	X-03-70-14	X-03-71-14	X-03-72-14
50	60	3	X-03-69-15	X-03-70-15	X-03-71-15	X-03-72-15
40	70	3	X-03-69-16	X-03-70-16	X-03-71-16	X-03-72-16
50	70	3	X-03-69-17	X-03-70-17	X-03-71-17	X-03-72-17
50	80	3	X-03-69-18	X-03-70-18	X-03-71-18	X-03-72-18
60	80	3	X-03-69-19	X-03-70-19	X-03-71-19	X-03-72-19

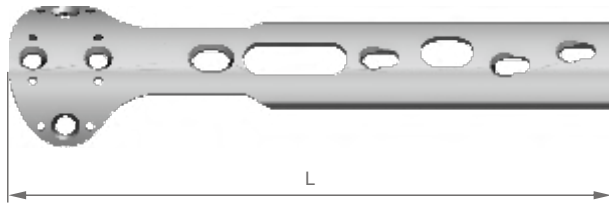


**PLYTKA KĄTOWA 130°
ANGULAR PLATE 130°**

otwory pod wkręty / screws: \varnothing 4,5 mm

L (mm)	A (mm)	Nr kat.
60	100	X-03-82-01
70	100	X-03-82-02
80	100	X-03-82-03
90	100	X-03-82-04
100	100	X-03-82-05
110	100	X-03-82-06
60	150	X-03-82-11
70	150	X-03-82-12
80	150	X-03-82-13
90	150	X-03-82-14
100	150	X-03-82-15
110	150	X-03-82-16

**BIODROWY STABILIZATOR DYNAMICZNY (DHS)
DYNAMIC HIP STABILIZER**



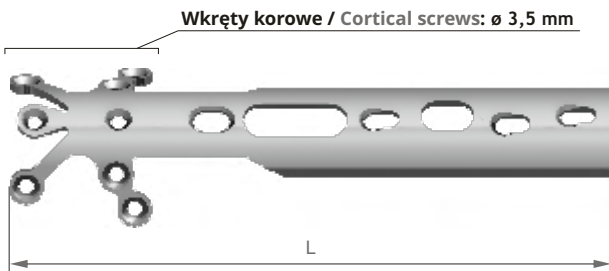
PLYTKA NAKRĘTARZOWA

WIELOOTWOROWA do systemu DHS

MULTI-HOLE TROCHANTER PLATE

otwory pod wkręty / screws: \varnothing 4,5 mm

L (mm)	Nr kat.
138	X-03-83- 59
142	X-03-83- 60
147	X-03-83- 61



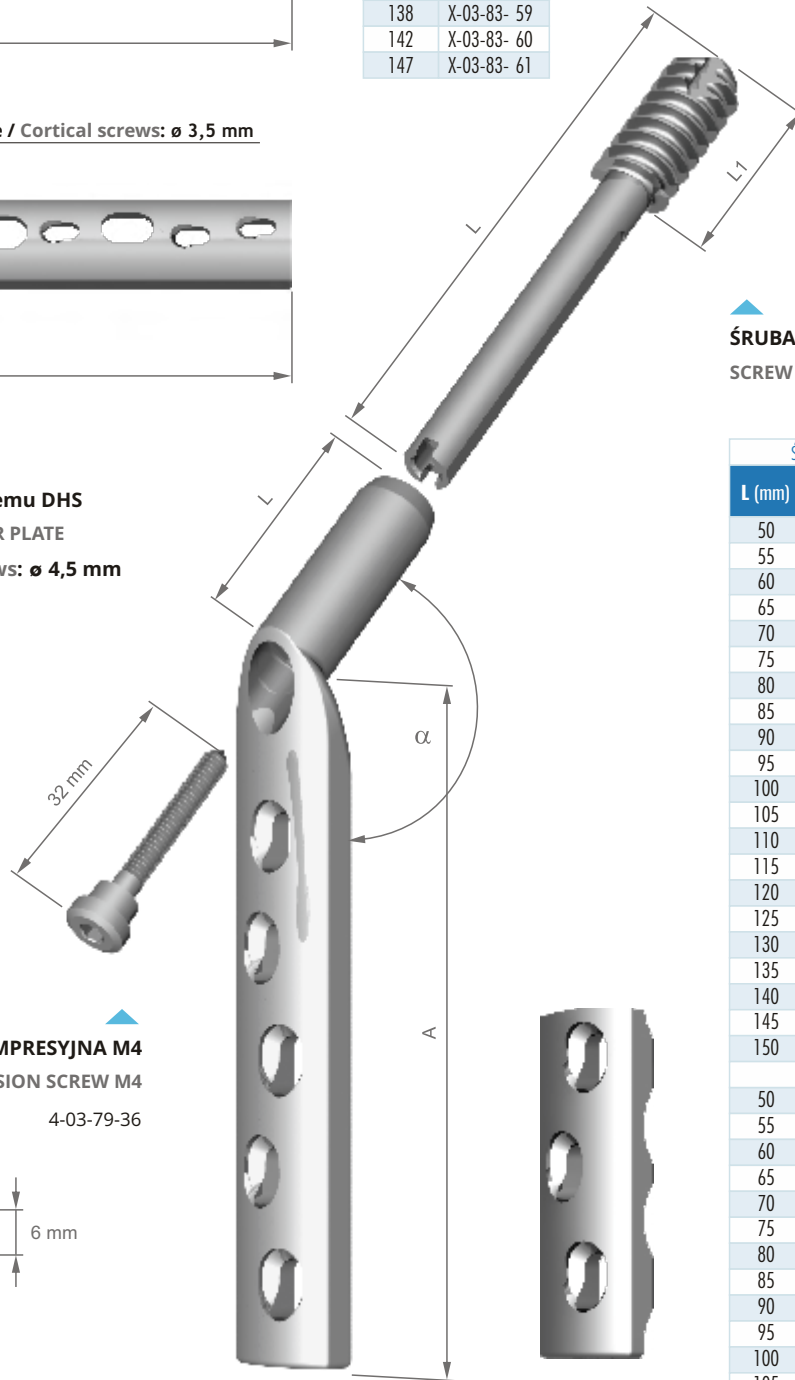
PLYTKA NAKRĘTARZOWA

WIELORAMIENNA do systemu DHS

MULTI-ARMED TROCHANTER PLATE

otwory pod wkręty / screws: \varnothing 4,5 mm

L (mm)	Nr kat.
138	X-03-127-59
142	X-03-127-60
147	X-03-127-61



ŚRUBA DHS/DCS

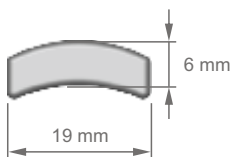
SCREW DHS/DCS

ŚRUBA SZYJKOWA \varnothing 12,5mm		
L (mm)	L1=22mm	L1=27mm
50	X-03-73-50	X-03-74-50
55	X-03-73-55	X-03-74-55
60	X-03-73-60	X-03-74-60
65	X-03-73-65	X-03-74-65
70	X-03-73-70	X-03-74-70
75	X-03-73-75	X-03-74-75
80	X-03-73-80	X-03-74-80
85	X-03-73-85	X-03-74-85
90	X-03-73-90	X-03-74-90
95	X-03-73-95	X-03-74-95
100	X-03-73-100	X-03-74-100
105	X-03-73-105	X-03-74-105
110	X-03-73-110	X-03-74-110
115	X-03-73-115	X-03-74-115
120	X-03-73-120	X-03-74-120
125	X-03-73-125	X-03-74-125
130	X-03-73-130	X-03-74-130
135	X-03-73-135	X-03-74-135
140	X-03-73-140	X-03-74-140
145	X-03-73-145	X-03-74-145
150	X-03-73-150	X-03-74-150

ŚRUBA KOMPRESYJNA M4

COMPRESSION SCREW M4

4-03-79-36



ŚRUBA SZYJKOWA \varnothing 6mm		
L (mm)	L1=22mm	L1=27mm
50	X-03-79-50	X-03-81-50
55	X-03-79-55	X-03-81-55
60	X-03-79-60	X-03-81-60
65	X-03-79-65	X-03-81-65
70	X-03-79-70	X-03-81-70
75	X-03-79-75	X-03-81-75
80	X-03-79-80	X-03-81-80
85	X-03-79-85	X-03-81-85
90	X-03-79-90	X-03-81-90
95	X-03-79-95	X-03-81-95
100	X-03-79-100	X-03-81-100
105	X-03-79-105	X-03-81-105
110	X-03-79-110	X-03-81-110
115	X-03-79-115	X-03-81-115
120	X-03-79-120	X-03-81-120
125	X-03-79-125	X-03-81-125
130	X-03-79-130	X-03-81-130
135	X-03-79-135	X-03-81-135
140	X-03-79-140	X-03-81-140
145	X-03-79-145	X-03-81-145
150	X-03-79-150	X-03-81-150

PLYTKA DYNAMICZNA

**Z OGRANICZONYM
KONTAKTEM**

**DYNAMIC HIP PLATE
WITH LIMITED CONTACT**

**otwory pod wkręty
screws: \varnothing 4,5 mm**

PLYTKA DYNAMICZNA

DYNAMIC HIP PLATE

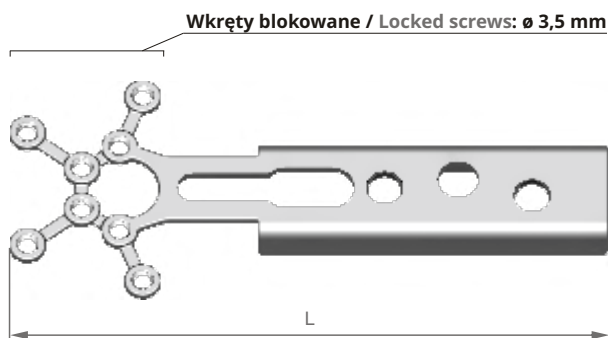
**otwory pod wkręty
screws: \varnothing 4,5 mm**

**BIODROWY STABILIZATOR DYNAMICZNY (DHS)
DYNAMIC HIP STABILIZER**

PŁYTKA DYNAMICZNA BIODROWA / DYNAMIC HIP PLATE							
L (mm)	A1 (mm)	otwory holes	$\alpha = 130^\circ$	$\alpha = 135^\circ$	$\alpha = 140^\circ$	$\alpha = 145^\circ$	$\alpha = 150^\circ$
38	48	2	X-03-83-02	X-03-75-02	X-03-76-02	X-03-77-02	X-03-78-02
38	64	3	X-03-83-03	X-03-75-03	X-03-76-03	X-03-77-03	X-03-78-03
38	80	4	X-03-83-04	X-03-75-04	X-03-76-04	X-03-77-04	X-03-78-04
38	96	5	X-03-83-05	X-03-75-05	X-03-76-05	X-03-77-05	X-03-78-05
38	112	6	X-03-83-06	X-03-75-06	X-03-76-06	X-03-77-06	X-03-78-06
38	144	8	X-03-83-08	X-03-75-08	X-03-76-08	X-03-77-08	X-03-78-08
38	176	10	X-03-83-10	X-03-75-10	X-03-76-10	X-03-77-10	X-03-78-10
38	208	12	X-03-83-12	X-03-75-12	X-03-76-12	X-03-77-12	X-03-78-12
38	240	14	X-03-83-14	X-03-75-14	X-03-76-14	X-03-77-14	X-03-78-14
38	272	16	X-03-83-16	X-03-75-16	X-03-76-16	X-03-77-16	X-03-78-16
38	304	18	X-03-83-18	X-03-75-18	X-03-76-18	X-03-77-18	X-03-78-18
38	336	20	X-03-83-20	X-03-75-20	X-03-76-20	X-03-77-20	X-03-78-20
38	368	22	X-03-83-22	X-03-75-22	X-03-76-22	X-03-77-22	X-03-78-22
25	48	2	X-03-83-32	X-03-75-32	X-03-76-32	X-03-77-32	X-03-78-32
25	64	3	X-03-83-33	X-03-75-33	X-03-76-33	X-03-77-33	X-03-78-33
25	80	4	X-03-83-34	X-03-75-34	X-03-76-34	X-03-77-34	X-03-78-34
25	96	5	X-03-83-35	X-03-75-35	X-03-76-35	X-03-77-35	X-03-78-35
25	112	6	X-03-83-36	X-03-75-36	X-03-76-36	X-03-77-36	X-03-78-36
25	144	8	X-03-83-38	X-03-75-38	X-03-76-38	X-03-77-38	X-03-78-38
25	176	10	X-03-83-40	X-03-75-40	X-03-76-40	X-03-77-40	X-03-78-40
25	208	12	X-03-83-42	X-03-75-42	X-03-76-42	X-03-77-42	X-03-78-42
25	240	14	X-03-83-44	X-03-75-44	X-03-76-44	X-03-77-44	X-03-78-44
25	272	16	X-03-83-46	X-03-75-46	X-03-76-46	X-03-77-46	X-03-78-46
25	304	18	X-03-83-48	X-03-75-48	X-03-76-48	X-03-77-48	X-03-78-48
25	336	20	X-03-83-50	X-03-75-50	X-03-76-50	X-03-77-50	X-03-78-50
25	368	22	X-03-83-52	X-03-75-52	X-03-76-52	X-03-77-52	X-03-78-52

PŁYTKA DYNAMICZNA BIODROWA / DYNAMIC HIP PLATE z ograniczonym kontaktem / with limited contact							
L (mm)	A1 (mm)	otwory holes	$\alpha = 130^\circ$	$\alpha = 135^\circ$	$\alpha = 140^\circ$	$\alpha = 145^\circ$	$\alpha = 150^\circ$
38	48	2	X-03-110-02	X-03-111-02	X-03-112-02	X-03-113-02	X-03-114-02
38	64	3	X-03-110-03	X-03-111-03	X-03-112-03	X-03-113-03	X-03-114-03
38	80	4	X-03-110-04	X-03-111-04	X-03-112-04	X-03-113-04	X-03-114-04
38	96	5	X-03-110-05	X-03-111-05	X-03-112-05	X-03-113-05	X-03-114-05
38	112	6	X-03-110-06	X-03-111-06	X-03-112-06	X-03-113-06	X-03-114-06
38	144	8	X-03-110-08	X-03-111-08	X-03-112-08	X-03-113-08	X-03-114-08
38	176	10	X-03-110-10	X-03-111-10	X-03-112-10	X-03-113-10	X-03-114-10
38	208	12	X-03-110-12	X-03-111-12	X-03-112-12	X-03-113-12	X-03-114-12
38	240	14	X-03-110-14	X-03-111-14	X-03-112-14	X-03-113-14	X-03-114-14
38	272	16	X-03-110-16	X-03-111-16	X-03-112-16	X-03-113-16	X-03-114-16
38	304	18	X-03-110-18	X-03-111-18	X-03-112-18	X-03-113-18	X-03-114-18
38	336	20	X-03-110-20	X-03-111-20	X-03-112-20	X-03-113-20	X-03-114-20
38	368	22	X-03-110-22	X-03-111-22	X-03-112-22	X-03-113-22	X-03-114-22
25	48	2	X-03-110-32	X-03-111-32	X-03-112-32	X-03-113-32	X-03-114-32
25	64	3	X-03-110-33	X-03-111-33	X-03-112-33	X-03-113-33	X-03-114-33
25	80	4	X-03-110-34	X-03-111-34	X-03-112-34	X-03-113-34	X-03-114-34
25	96	5	X-03-110-35	X-03-111-35	X-03-112-35	X-03-113-35	X-03-114-35
25	112	6	X-03-110-36	X-03-111-36	X-03-112-36	X-03-113-36	X-03-114-36
25	144	8	X-03-110-38	X-03-111-38	X-03-112-38	X-03-113-38	X-03-114-38
25	176	10	X-03-110-40	X-03-111-40	X-03-112-40	X-03-113-40	X-03-114-40
25	208	12	X-03-110-42	X-03-111-42	X-03-112-42	X-03-113-42	X-03-114-42
25	240	14	X-03-110-44	X-03-111-44	X-03-112-44	X-03-113-44	X-03-114-44
25	272	16	X-03-110-46	X-03-111-46	X-03-112-46	X-03-113-46	X-03-114-46
25	304	18	X-03-110-48	X-03-111-48	X-03-112-48	X-03-113-48	X-03-114-48
25	336	20	X-03-110-50	X-03-111-50	X-03-112-50	X-03-113-50	X-03-114-50
25	368	22	X-03-110-52	X-03-111-52	X-03-112-52	X-03-113-52	X-03-114-52

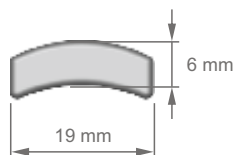
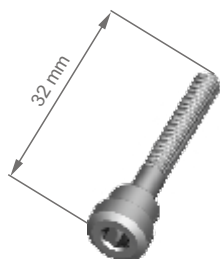
**BIODROWY STABILIZATOR DYNAMICZNY (DHS)
DYNAMIC HIP STABILIZER**



**PLYTKA NAKRĘTARZOWA
WIELORAMIENNA do systemu DHS
MULTI-ARMED TROCHANTER PLATE
otwory pod wkręty / screws: \varnothing 4,5 mm**

L (mm)	Nr kat.
130	X-03-165-13

**ŚRUBA KOMPRESYJNA M4
COMPRESSION SCREW M4
4-03-79-36**



**PLYTKA DYNAMICZNA
Z OGRANICZONYM
KONTAKTEM BLOKOWANA
LOCKING DYNAMIC HIP PLATE
WITH LIMITED CONTACT**

wkręty blokowane / locked screws: \varnothing 5,0 mm
wkręty korowe / cortical screws: \varnothing 4,5 mm



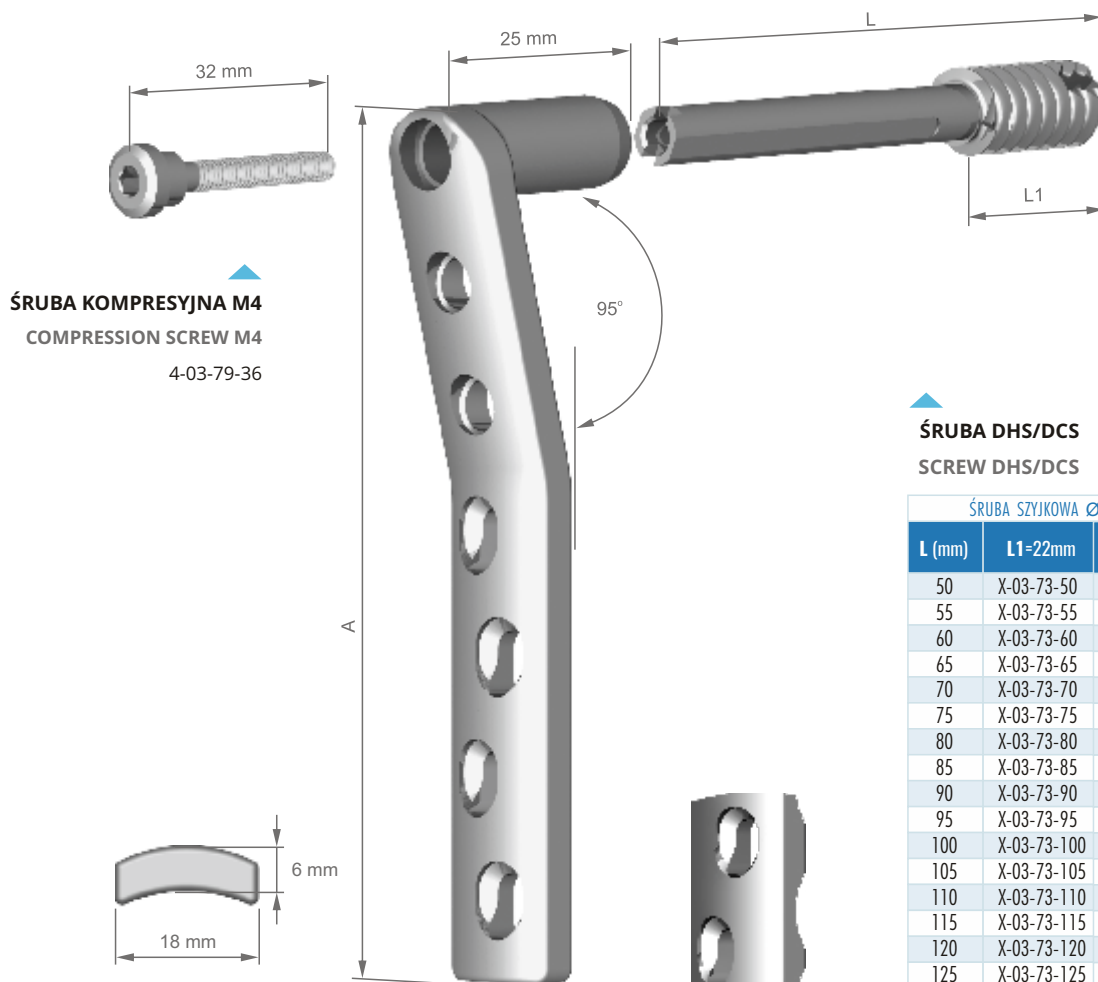
**ŚRUBA DHS/DCS
SCREW DHS/DCS**

ŚRUBA SZYJKOWA \varnothing 12,5mm		
L (mm)	L1=22mm	L1=27mm
50	X-03-73-50	X-03-74-50
55	X-03-73-55	X-03-74-55
60	X-03-73-60	X-03-74-60
65	X-03-73-65	X-03-74-65
70	X-03-73-70	X-03-74-70
75	X-03-73-75	X-03-74-75
80	X-03-73-80	X-03-74-80
85	X-03-73-85	X-03-74-85
90	X-03-73-90	X-03-74-90
95	X-03-73-95	X-03-74-95
100	X-03-73-100	X-03-74-100
105	X-03-73-105	X-03-74-105
110	X-03-73-110	X-03-74-110
115	X-03-73-115	X-03-74-115
120	X-03-73-120	X-03-74-120
125	X-03-73-125	X-03-74-125
130	X-03-73-130	X-03-74-130
135	X-03-73-135	X-03-74-135
140	X-03-73-140	X-03-74-140
145	X-03-73-145	X-03-74-145
150	X-03-73-150	X-03-74-150
ŚRUBA SZYJKOWA \varnothing 16mm		
50	X-03-79-50	X-03-81-50
55	X-03-79-55	X-03-81-55
60	X-03-79-60	X-03-81-60
65	X-03-79-65	X-03-81-65
70	X-03-79-70	X-03-81-70
75	X-03-79-75	X-03-81-75
80	X-03-79-80	X-03-81-80
85	X-03-79-85	X-03-81-85
90	X-03-79-90	X-03-81-90
95	X-03-79-95	X-03-81-95
100	X-03-79-100	X-03-81-100
105	X-03-79-105	X-03-81-105
110	X-03-79-110	X-03-81-110
115	X-03-79-115	X-03-81-115
120	X-03-79-120	X-03-81-120
125	X-03-79-125	X-03-81-125
130	X-03-79-130	X-03-81-130
135	X-03-79-135	X-03-81-135
140	X-03-79-140	X-03-81-140
145	X-03-79-145	X-03-81-145
150	X-03-79-150	X-03-81-150

**BIODROWY STABILIZATOR DYNAMICZNY (DHS)
DYNAMIC HIP STABILIZER**

PLYTKA DYNAMICZNA BIODROWA BLOKOWANA / LOCKING DYNAMIC HIP PLATE z ograniczonym kontaktem / with limited contact							
L (mm)	A1 (mm)	otwory holes	$\alpha = 130^\circ$	$\alpha = 135^\circ$	$\alpha = 140^\circ$	$\alpha = 145^\circ$	$\alpha = 150^\circ$
38	48	2	X-03-110-02/01	X-03-111-02/01	X-03-112-02/01	X-03-113-02/01	X-03-114-02/01
38	64	3	X-03-110-03/01	X-03-111-03/01	X-03-112-03/01	X-03-113-03/01	X-03-114-03/01
38	80	4	X-03-110-04/01	X-03-111-04/01	X-03-112-04/01	X-03-113-04/01	X-03-114-04/01
38	96	5	X-03-110-05/01	X-03-111-05/01	X-03-112-05/01	X-03-113-05/01	X-03-114-05/01
38	112	6	X-03-110-06/01	X-03-111-06/01	X-03-112-06/01	X-03-113-06/01	X-03-114-06/01
38	144	8	X-03-110-08/01	X-03-111-08/01	X-03-112-08/01	X-03-113-08/01	X-03-114-08/01
38	176	10	X-03-110-10/01	X-03-111-10/01	X-03-112-10/01	X-03-113-10/01	X-03-114-10/01
38	208	12	X-03-110-12/01	X-03-111-12/01	X-03-112-12/01	X-03-113-12/01	X-03-114-12/01
38	240	14	X-03-110-14/01	X-03-111-14/01	X-03-112-14/01	X-03-113-14/01	X-03-114-14/01
38	272	16	X-03-110-16/01	X-03-111-16/01	X-03-112-16/01	X-03-113-16/01	X-03-114-16/01
38	304	18	X-03-110-18/01	X-03-111-18/01	X-03-112-18/01	X-03-113-18/01	X-03-114-18/01
38	336	20	X-03-110-20/01	X-03-111-20/01	X-03-112-20/01	X-03-113-20/01	X-03-114-20/01
38	368	22	X-03-110-22/01	X-03-111-22/01	X-03-112-22/01	X-03-113-22/01	X-03-114-22/01
25	48	2	X-03-110-32/01	X-03-111-32/01	X-03-112-32/01	X-03-113-32/01	X-03-114-32/01
25	64	3	X-03-110-33/01	X-03-111-33/01	X-03-112-33/01	X-03-113-33/01	X-03-114-33/01
25	80	4	X-03-110-34/01	X-03-111-34/01	X-03-112-34/01	X-03-113-34/01	X-03-114-34/01
25	96	5	X-03-110-35/01	X-03-111-35/01	X-03-112-35/01	X-03-113-35/01	X-03-114-35/01
25	112	6	X-03-110-36/01	X-03-111-36/01	X-03-112-36/01	X-03-113-36/01	X-03-114-36/01
25	144	8	X-03-110-38/01	X-03-111-38/01	X-03-112-38/01	X-03-113-38/01	X-03-114-38/01
25	176	10	X-03-110-40/01	X-03-111-40/01	X-03-112-40/01	X-03-113-40/01	X-03-114-40/01
25	208	12	X-03-110-42/01	X-03-111-42/01	X-03-112-42/01	X-03-113-42/01	X-03-114-42/01
25	240	14	X-03-110-44/01	X-03-111-44/01	X-03-112-44/01	X-03-113-44/01	X-03-114-44/01
25	272	16	X-03-110-46/01	X-03-111-46/01	X-03-112-46/01	X-03-113-46/01	X-03-114-46/01
25	304	18	X-03-110-48/01	X-03-111-48/01	X-03-112-48/01	X-03-113-48/01	X-03-114-48/01
25	336	20	X-03-110-50/01	X-03-111-50/01	X-03-112-50/01	X-03-113-50/01	X-03-114-50/01
25	368	22	X-03-110-52/01	X-03-111-52/01	X-03-112-52/01	X-03-113-52/01	X-03-114-52/01

**KŁYKCIOWY STABILIZATOR DYNAMICZNY (DCS)
DYNAMIC CONDYLAR STABILIZER**



ŚRUBA KOMPRESYJNA M4
COMPRESSION SCREW M4
4-03-79-36

ŚRUBA DHS/DCS
SCREW DHS/DCS

ŚRUBA SZYJKOWA Ø12,5mm		
L (mm)	L1=22mm	L1=27mm
50	X-03-73-50	X-03-74-50
55	X-03-73-55	X-03-74-55
60	X-03-73-60	X-03-74-60
65	X-03-73-65	X-03-74-65
70	X-03-73-70	X-03-74-70
75	X-03-73-75	X-03-74-75
80	X-03-73-80	X-03-74-80
85	X-03-73-85	X-03-74-85
90	X-03-73-90	X-03-74-90
95	X-03-73-95	X-03-74-95
100	X-03-73-100	X-03-74-100
105	X-03-73-105	X-03-74-105
110	X-03-73-110	X-03-74-110
115	X-03-73-115	X-03-74-115
120	X-03-73-120	X-03-74-120
125	X-03-73-125	X-03-74-125
130	X-03-73-130	X-03-74-130
135	X-03-73-135	X-03-74-135
140	X-03-73-140	X-03-74-140
145	X-03-73-145	X-03-74-145
150	X-03-73-150	X-03-74-150

PLYTKA KŁYKCIOWA DYNAMICZNA 95°
DYNAMIC CONDYLAR PLATE 95°

otwory pod wkręty
screws: ø 4,5 mm

A (mm)	otwory holes	Nr kat.
86	4	X-03-80-04
118	6	X-03-80-06
150	8	X-03-80-08
182	10	X-03-80-10
214	12	X-03-80-12
246	14	X-03-80-14
278	16	X-03-80-16
310	18	X-03-80-18
342	20	X-03-80-20
374	22	X-03-80-22

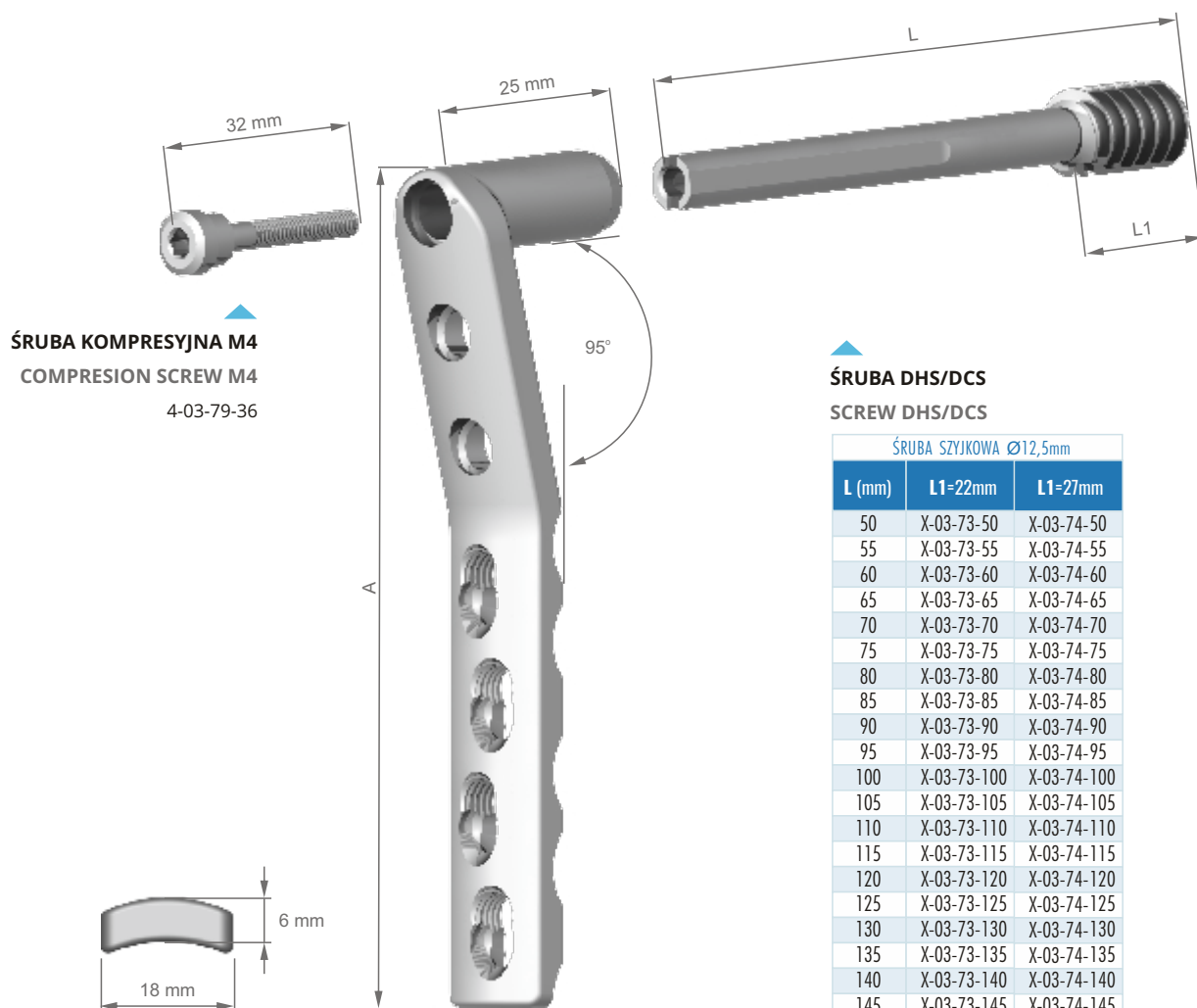
**PLYTKA KŁYKCIOWA
DYNAMICZNA 95°
z ograniczonym kontaktem**
DYNAMIC CONDYLAR PLATE 95°
WITH LIMITED CONTACT

otwory pod wkręty
screws: ø 4,5 mm

A (mm)	otwory holes	Nr kat.
86	4	X-03-125-04
118	6	X-03-125-06
150	8	X-03-125-08
182	10	X-03-125-10
214	12	X-03-125-12
246	14	X-03-125-14
278	16	X-03-125-16
310	18	X-03-125-18
342	20	X-03-125-20
374	22	X-03-125-22

ŚRUBA SZYJKOWA Ø16mm		
50	X-03-79-50	X-03-81-50
55	X-03-79-55	X-03-81-55
60	X-03-79-60	X-03-81-60
65	X-03-79-65	X-03-81-65
70	X-03-79-70	X-03-81-70
75	X-03-79-75	X-03-81-75
80	X-03-79-80	X-03-81-80
85	X-03-79-85	X-03-81-85
90	X-03-79-90	X-03-81-90
95	X-03-79-95	X-03-81-95
100	X-03-79-100	X-03-81-100
105	X-03-79-105	X-03-81-105
110	X-03-79-110	X-03-81-110
115	X-03-79-115	X-03-81-115
120	X-03-79-120	X-03-81-120
125	X-03-79-125	X-03-81-125
130	X-03-79-130	X-03-81-130
135	X-03-79-135	X-03-81-135
140	X-03-79-140	X-03-81-140
145	X-03-79-145	X-03-81-145
150	X-03-79-150	X-03-81-150

**KŁYKCIOWY STABILIZATOR DYNAMICZNY (DCS)
DYNAMIC CONDYLAR STABILIZER**



ŚRUBA KOMPRESYJNA M4
COMPRESSION SCREW M4
4-03-79-36

ŚRUBA DHS/DCS
SCREW DHS/DCS

ŚRUBA SZYJKOWA Ø12,5mm		
L (mm)	L1=22mm	L1=27mm
50	X-03-73-50	X-03-74-50
55	X-03-73-55	X-03-74-55
60	X-03-73-60	X-03-74-60
65	X-03-73-65	X-03-74-65
70	X-03-73-70	X-03-74-70
75	X-03-73-75	X-03-74-75
80	X-03-73-80	X-03-74-80
85	X-03-73-85	X-03-74-85
90	X-03-73-90	X-03-74-90
95	X-03-73-95	X-03-74-95
100	X-03-73-100	X-03-74-100
105	X-03-73-105	X-03-74-105
110	X-03-73-110	X-03-74-110
115	X-03-73-115	X-03-74-115
120	X-03-73-120	X-03-74-120
125	X-03-73-125	X-03-74-125
130	X-03-73-130	X-03-74-130
135	X-03-73-135	X-03-74-135
140	X-03-73-140	X-03-74-140
145	X-03-73-145	X-03-74-145
150	X-03-73-150	X-03-74-150
ŚRUBA SZYJKOWA Ø16mm		
50	X-03-79-50	X-03-81-50
55	X-03-79-55	X-03-81-55
60	X-03-79-60	X-03-81-60
65	X-03-79-65	X-03-81-65
70	X-03-79-70	X-03-81-70
75	X-03-79-75	X-03-81-75
80	X-03-79-80	X-03-81-80
85	X-03-79-85	X-03-81-85
90	X-03-79-90	X-03-81-90
95	X-03-79-95	X-03-81-95
100	X-03-79-100	X-03-81-100
105	X-03-79-105	X-03-81-105
110	X-03-79-110	X-03-81-110
115	X-03-79-115	X-03-81-115
120	X-03-79-120	X-03-81-120
125	X-03-79-125	X-03-81-125
130	X-03-79-130	X-03-81-130
135	X-03-79-135	X-03-81-135
140	X-03-79-140	X-03-81-140
145	X-03-79-145	X-03-81-145
150	X-03-79-150	X-03-81-150

**PLYTKA KŁYKCIOWA
DYNAMICZNA 95° BLOKOWANA
z ograniczonym kontaktem
LOCKING DYNAMIC CONDYLAR PLATE 95°
WITH LIMITED CONTACT**

wkręty blokowane / locked screws: **ø 5,0 mm**
wkręty korowe / cortical screws: **ø 4,5 mm**

A (mm)	otwory holes	Nr kat.
115	6	X-03-125-06/01
147	8	X-03-125-08/01
179	10	X-03-125-10/01
211	12	X-03-125-12/01
243	14	X-03-125-14/01
275	16	X-03-125-16/01
307	18	X-03-125-18/01
339	20	X-03-125-20/01