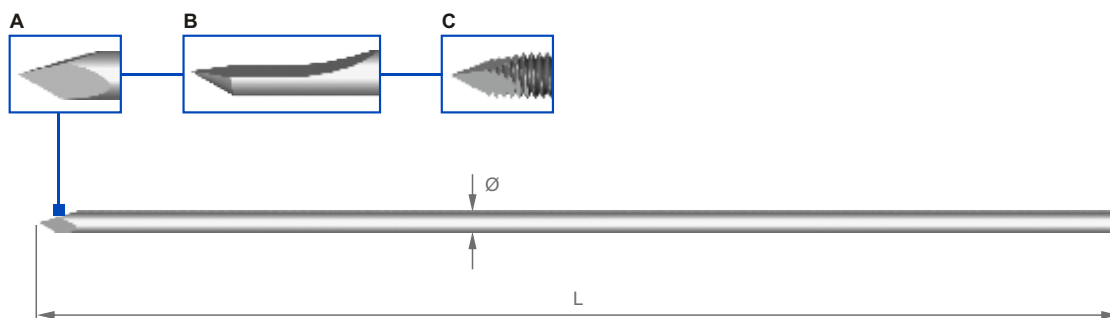


GWOŹDZIE, DRUTY, GROTY, KLAMRY KOSTNE / BONE NAILS, WIRES, PINS, STAPLES



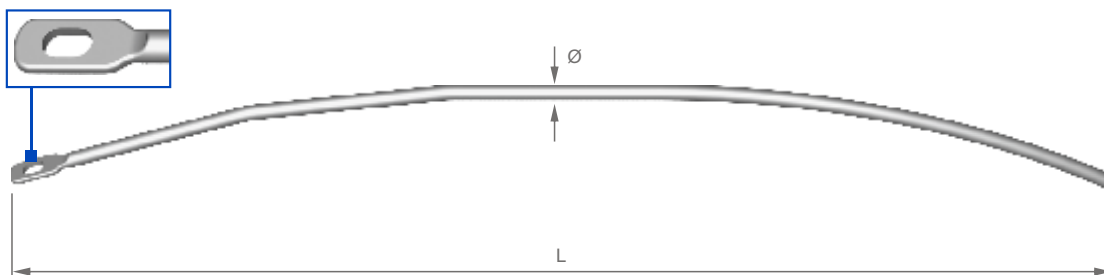
MEDGAL

polski producent - polish manufacturer

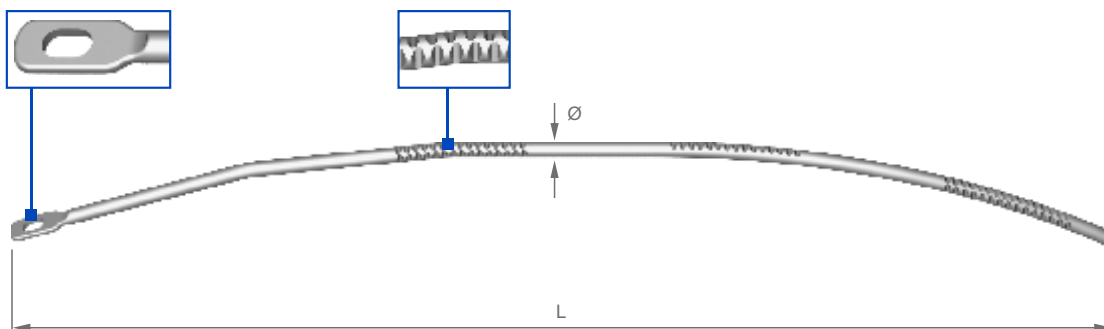


**DRUT KIRSCHNERA
KIRSCHNER WIRE**

Ø (mm)	L (mm)	A OSTRZE BLADE	B OSTRZE BLADE	C OSTRZE BLADE
0,8	70	X-06-01-07	X-06-01-07 /01	-
0,8	150	X-06-01-15	X-06-01-15 /01	-
0,8	210	X-06-01-21	X-06-01-21 /01	-
0,8	310	X-06-01-31	X-06-01-31 /01	-
1,0	150	X-06-02-15	X-06-02-15 /01	X-06-02-15 /02
1,0	210	X-06-02-21	X-06-02-21 /01	X-06-02-21 /02
1,0	230	X-06-02-23	-	-
1,0	310	X-06-02-31	X-06-02-31 /01	X-06-02-31 /02
1,2	150	X-06-03-15	X-06-03-15 /01	X-06-03-15 /02
1,2	210	X-06-03-21	X-06-03-21 /01	X-06-03-21 /02
1,2	310	X-06-03-31	X-06-03-31 /01	X-06-03-31 /02
1,4	150	X-06-04-15	X-06-04-15 /01	-
1,4	210	X-06-04-21	X-06-04-21 /01	-
1,4	310	X-06-04-31	X-06-04-31 /01	-
1,5	150	X-06-92-15	X-06-92-15 /01	X-06-92-15 /02
1,5	210	X-06-92-21	X-06-92-21 /01	X-06-92-21 /02
1,5	310	X-06-92-31	X-06-92-31 /01	X-06-92-31 /02
1,5	380	X-06-92-38	X-06-92-38 /01	X-06-92-38 /02
1,6	150	X-06-05-15	X-06-05-15 /01	X-06-05-15 /02
1,6	210	X-06-05-21	X-06-05-21 /01	X-06-05-21 /02
1,6	310	X-06-05-31	X-06-05-31 /01	X-06-05-31 /02
1,6	380	X-06-05-38	X-06-05-38 /01	X-06-05-38 /02
1,8	150	X-06-07-15	X-06-07-15 /01	X-06-07-15 /02
1,8	210	X-06-07-21	X-06-07-21 /01	X-06-07-21 /02
1,8	310	X-06-07-31	X-06-07-31 /01	X-06-07-31 /02
1,8	380	X-06-07-38	X-06-07-38 /01	X-06-07-38 /02
2,0	150	X-06-08-15	X-06-08-15 /01	X-06-08-15 /02
2,0	200	X-06-08-20	-	X-06-08-20 /02
2,0	210	X-06-08-21	X-06-08-21 /01	X-06-08-21 /02
2,0	230	X-06-08-23	-	X-06-08-23 /02
2,0	310	X-06-08-31	X-06-08-31 /01	X-06-08-31 /02
2,0	380	X-06-08-38	X-06-08-38 /01	X-06-08-38 /02
2,2	150	X-06-09-15	X-06-09-15 /01	-
2,2	200	X-06-09-20	-	X-06-09-20 /02
2,2	210	X-06-09-21	X-06-09-21 /01	-
2,2	230	X-06-09-23	-	X-06-09-23 /02
2,2	310	X-06-09-31	X-06-09-31 /01	-
2,2	380	X-06-09-38	X-06-93-38 /01	-
2,4	150	X-06-93-15	X-06-93-15 /01	-
2,4	210	X-06-93-21	X-06-93-21 /01	X-06-93-21 /02
2,4	310	X-06-93-31	X-06-93-31 /01	X-06-93-31 /02
2,4	380	X-06-93-38	X-06-10-38 /01	X-06-93-38 /02
2,5	150	X-06-10-15	X-06-10-15 /01	X-06-10-15 /02
2,5	210	X-06-10-21	X-06-10-21 /01	X-06-10-21 /02
2,5	310	X-06-10-31	X-06-10-31 /01	X-06-10-31 /02
2,5	380	X-06-10-38	X-06-11-38 /01	X-06-10-38 /02
3,0	150	X-06-11-15	X-06-11-15 /01	X-06-11-15 /02
3,0	210	X-06-11-21	X-06-11-21 /01	X-06-11-21 /02
3,0	310	X-06-11-31	X-06-11-31 /01	X-06-11-31 /02
3,0	380	X-06-11-38	X-06-11-38 /01	X-06-11-38 /02

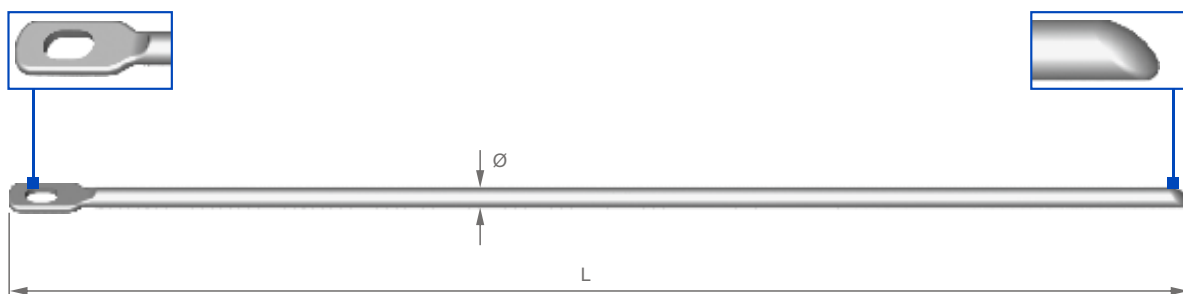


GWÓZDŹ ENDERA
ENDER NAIL



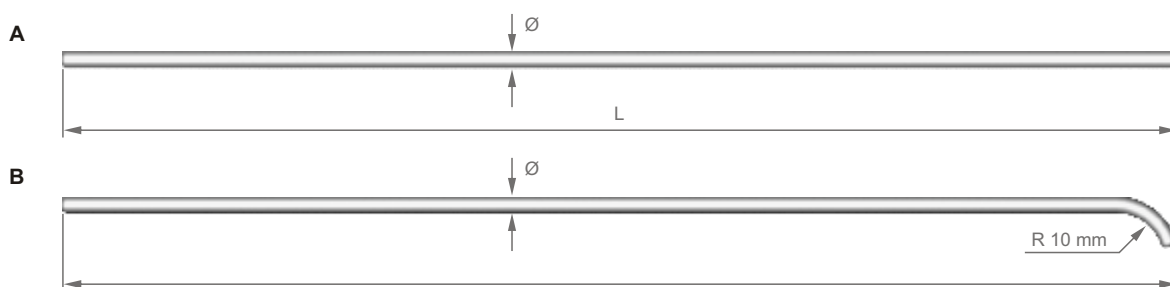
GWÓZDŹ ENDERA - MODYFIKOWANY
ENDER NAIL - MODYFIED

L (mm)	MODYFIKOWANY / MODYFIED							
	Ø=3,5mm	Ø=4,0mm	Ø=4,5mm	Ø=4,8mm	Ø=5,0mm	Ø=4,5mm	Ø=4,8mm	Ø=5,0mm
180	X-06-13-18	X-06-14-18	X-06-15-18	-	-	X-06-17-18	X-06-12-18	X-06-18-18
190	X-06-13-19	X-06-14-19	X-06-15-19	-	-	X-06-17-19	X-06-12-19	X-06-18-19
200	X-06-13-20	X-06-14-20	X-06-15-20	-	-	X-06-17-20	X-06-12-20	X-06-18-20
210	X-06-13-21	X-06-14-21	X-06-15-21	-	-	X-06-17-21	X-06-12-21	X-06-18-21
220	X-06-13-22	X-06-14-22	X-06-15-22	-	-	X-06-17-22	X-06-12-22	X-06-18-22
230	X-06-13-23	X-06-14-23	X-06-15-23	-	-	X-06-17-23	X-06-12-23	X-06-18-23
240	X-06-13-24	X-06-14-24	X-06-15-24	-	-	X-06-17-24	X-06-12-24	X-06-18-24
250	X-06-13-25	X-06-14-25	X-06-15-25	-	-	X-06-17-25	X-06-12-25	X-06-18-25
260	X-06-13-26	X-06-14-26	X-06-15-26	-	-	X-06-17-26	X-06-12-26	X-06-18-26
270	X-06-13-27	X-06-14-27	X-06-15-27	-	-	X-06-17-27	X-06-12-27	X-06-18-27
280	X-06-13-28	X-06-14-28	X-06-15-28	-	-	X-06-17-28	X-06-12-28	X-06-18-28
290	X-06-13-29	X-06-14-29	X-06-15-29	-	-	X-06-17-29	X-06-12-29	X-06-18-29
300	X-06-13-30	X-06-14-30	X-06-15-30	X-06-94-30	X-06-16-30	X-06-17-30	X-06-12-30	X-06-18-30
310	X-06-13-31	X-06-14-31	X-06-15-31	X-06-94-31	X-06-16-31	X-06-17-31	X-06-12-31	X-06-18-31
320	X-06-13-32	X-06-14-32	X-06-15-32	X-06-94-32	X-06-16-32	X-06-17-32	X-06-12-32	X-06-18-32
330	X-06-13-33	X-06-14-33	X-06-15-33	X-06-94-33	X-06-16-33	X-06-17-33	X-06-12-33	X-06-18-33
340	X-06-13-34	X-06-14-34	X-06-15-34	X-06-94-34	X-06-16-34	X-06-17-34	X-06-12-34	X-06-18-34
350	X-06-13-35	X-06-14-35	X-06-15-35	X-06-94-35	X-06-16-35	X-06-17-35	X-06-12-35	X-06-18-35
360	X-06-13-36	X-06-14-36	X-06-15-36	X-06-94-36	X-06-16-36	X-06-17-36	X-06-12-36	X-06-18-36
370	X-06-13-37	X-06-14-37	X-06-15-37	X-06-94-37	X-06-16-37	X-06-17-37	X-06-12-37	X-06-18-37
380	X-06-13-38	X-06-14-38	X-06-15-38	X-06-94-38	X-06-16-38	X-06-17-38	X-06-12-38	X-06-18-38
390	X-06-13-39	X-06-14-39	X-06-15-39	X-06-94-39	X-06-16-39	X-06-17-39	X-06-12-39	X-06-18-39
400	X-06-13-40	X-06-14-40	X-06-15-40	X-06-94-40	X-06-16-40	X-06-17-40	X-06-12-40	X-06-18-40
410	X-06-13-41	X-06-14-41	X-06-15-41	X-06-94-41	X-06-16-41	X-06-17-41	X-06-12-41	X-06-18-41
420	X-06-13-42	X-06-14-42	X-06-15-42	X-06-94-42	X-06-16-42	X-06-17-42	X-06-12-42	X-06-18-42
430	-	X-06-14-43	X-06-15-43	X-06-94-43	X-06-16-43	X-06-17-43	X-06-12-43	X-06-18-43
440	-	X-06-14-44	X-06-15-44	X-06-94-44	X-06-16-44	X-06-17-44	X-06-12-44	X-06-18-44
450	-	X-06-14-45	X-06-15-45	X-06-94-45	X-06-16-45	X-06-17-45	X-06-12-45	X-06-18-45
460	-	-	X-06-15-46	X-06-94-46	X-06-16-46	X-06-17-46	X-06-12-46	X-06-18-46
470	-	-	X-06-15-47	X-06-94-47	X-06-16-47	X-06-17-47	X-06-12-47	X-06-18-47
480	-	-	X-06-15-48	X-06-94-48	X-06-16-48	X-06-17-48	X-06-12-48	X-06-18-48
490	-	-	X-06-15-49	X-06-94-49	X-06-16-49	X-06-17-49	X-06-12-49	X-06-18-49
500	-	-	X-06-15-50	X-06-94-50	X-06-16-50	X-06-17-50	X-06-12-50	X-06-18-50



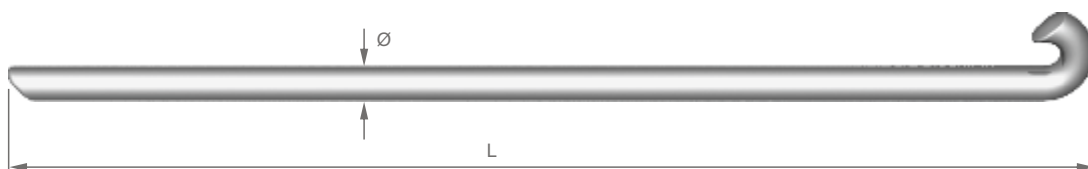
GWÓDZ ENDERA PROSTY
ENDER STRAIGHT NAIL

L (mm)	Ø=3,5mm	Ø=4,0mm	Ø=4,5mm	Ø=5,0mm	L (mm)	Ø=3,5mm	Ø=4,0mm	Ø=4,5mm	Ø=5,0mm
200	X-06-19-20	X-06-20-20	X-06-21-20	X-06-22-20	360	X-06-19-36	X-06-20-36	X-06-21-36	X-06-22-36
210	X-06-19-21	X-06-20-21	X-06-21-21	X-06-22-21	370	X-06-19-37	X-06-20-37	X-06-21-37	X-06-22-37
220	X-06-19-22	X-06-20-22	X-06-21-22	X-06-22-22	380	X-06-19-38	X-06-20-38	X-06-21-38	X-06-22-38
230	X-06-19-23	X-06-20-23	X-06-21-23	X-06-22-23	390	X-06-19-39	X-06-20-39	X-06-21-39	X-06-22-39
240	X-06-19-24	X-06-20-24	X-06-21-24	X-06-22-24	400	X-06-19-40	X-06-20-40	X-06-21-40	X-06-22-40
250	X-06-19-25	X-06-20-25	X-06-21-25	X-06-22-25	410	X-06-19-41	X-06-20-41	X-06-21-41	X-06-22-41
260	X-06-19-26	X-06-20-26	X-06-21-26	X-06-22-26	420	X-06-19-42	X-06-20-42	X-06-21-42	X-06-22-42
270	X-06-19-27	X-06-20-27	X-06-21-27	X-06-22-27	430	X-06-19-43	X-06-20-43	X-06-21-43	X-06-22-43
280	X-06-19-28	X-06-20-28	X-06-21-28	X-06-22-28	440	X-06-19-44	X-06-20-44	X-06-21-44	X-06-22-44
290	X-06-19-29	X-06-20-29	X-06-21-29	X-06-22-29	450	X-06-19-45	X-06-20-45	X-06-21-45	X-06-22-45
300	X-06-19-30	X-06-20-30	X-06-21-30	X-06-22-30	460	X-06-19-46	X-06-20-46	X-06-21-46	X-06-22-46
310	X-06-19-31	X-06-20-31	X-06-21-31	X-06-22-31	470	X-06-19-47	X-06-20-47	X-06-21-47	X-06-22-47
320	X-06-19-32	X-06-20-32	X-06-21-32	X-06-22-32	480	X-06-19-48	X-06-20-48	X-06-21-48	X-06-22-48
330	X-06-19-33	X-06-20-33	X-06-21-33	X-06-22-33	490	X-06-19-49	X-06-20-49	X-06-21-49	X-06-22-49
340	X-06-19-34	X-06-20-34	X-06-21-34	X-06-22-34	500	X-06-19-50	X-06-20-50	X-06-21-50	X-06-22-50
350	X-06-19-35	X-06-20-35	X-06-21-35	X-06-22-35					



DRUTY ŚRÓDZPIKOWE
DLA DZIECI
INTRAMEDULLARY WIRES
FOR CHILDRE

Ø (mm)	L (mm)	A	B	Ø (mm)	L (mm)	A	B
1,6	250	X-06-23-25	X-06-23-25/01	2,5	240	X-06-96-24	X-06-96-24/01
1,6	400	X-06-23-40	X-06-23-40/01	2,5	280	X-06-96-28	X-06-96-28/01
2,0	200	X-06-95-20	X-06-95-20/01	2,5	320	X-06-96-32	X-06-96-32/01
2,0	240	X-06-95-24	X-06-95-24/01	2,5	360	X-06-96-36	X-06-96-36/01
2,0	280	X-06-95-28	X-06-95-28/01	2,5	400	X-06-96-40	X-06-96-40/01
2,0	310	X-06-95-31	X-06-95-31/01	3,0	240	X-06-97-24	X-06-97-24/01
2,0	320	X-06-95-32	X-06-95-32/01	3,0	280	X-06-97-28	X-06-97-28/01
2,0	400	X-06-95-40	X-06-95-40/01	3,0	320	X-06-97-32	X-06-97-32/01
2,2	310	X-06-51-31	X-06-51-31/01	3,0	360	X-06-97-36	X-06-97-36/01
2,2	400	X-06-51-40	X-06-51-40/01	3,0	400	X-06-97-40	X-06-97-40/01
2,2	200	X-06-96-20	X-06-96-20/01				



GWÓŹDŹ RUSH'A ▲

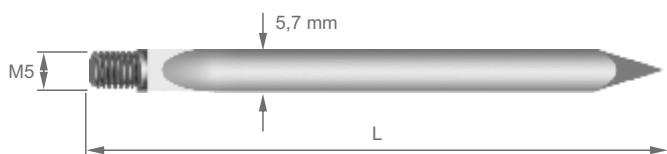
RUSH NAIL

L (mm)	Ø=2,4mm	Ø=3,2mm	Ø=4,0mm	Ø=4,8mm	Ø=5,0mm	Ø=6,0mm	Ø=6,4mm
25	X-06-24-25	-	-	-	-	-	-
30	X-06-24-30	-	-	-	-	-	-
35	X-06-24-35	-	-	-	-	-	-
40	X-06-24-40	-	-	-	-	-	-
45	X-06-24-45	-	-	-	-	-	-
50	X-06-24-50	-	-	-	-	-	-
55	X-06-24-55	-	-	-	-	-	-
60	X-06-24-60	-	-	-	-	-	-
65	X-06-24-65	-	-	-	-	-	-
70	X-06-24-70	-	-	-	-	-	-
75	X-06-24-75	-	-	-	-	-	-
80	X-06-24-80	-	-	-	-	-	-
85	X-06-24-85	-	-	-	-	-	-
90	X-06-24-90	-	-	-	-	-	-
95	X-06-24-95	-	-	-	-	-	-
100	X-06-24-100	X-06-25-100	-	-	-	-	-
110	X-06-24-110	X-06-25-110	-	-	-	-	-
115	X-06-24-115	X-06-25-115	-	-	-	-	-
120	X-06-24-120	X-06-25-120	-	-	-	-	-
125	X-06-24-125	X-06-25-125	-	-	-	-	-
130	X-06-24-130	X-06-25-130	-	-	-	-	-
140	X-06-24-140	X-06-25-140	-	-	-	-	-
150	X-06-24-150	X-06-25-150	-	-	-	-	-
160	X-06-24-160	X-06-25-160	-	-	-	-	-
165	X-06-24-165	X-06-25-165	-	-	-	-	-
170	X-06-24-170	X-06-25-170	-	-	-	-	-
180	X-06-24-180	X-06-25-180	-	-	-	-	-
190	X-06-24-190	X-06-25-190	-	-	-	-	-
200	X-06-24-200	X-06-25-200	X-06-26-200	X-06-27-200	X-06-28-200	-	-
205	X-06-24-205	X-06-25-205	X-06-26-205	X-06-27-205	X-06-28-205	-	-
210	X-06-24-210	X-06-25-210	X-06-26-210	X-06-27-210	X-06-28-210	-	-
215	X-06-24-215	X-06-25-215	X-06-26-215	X-06-27-215	X-06-28-215	-	-
220	X-06-24-220	X-06-25-220	X-06-26-220	X-06-27-220	X-06-28-220	-	-
230	X-06-24-230	X-06-25-230	X-06-26-230	X-06-27-230	X-06-28-230	-	-
240	X-06-24-240	X-06-25-240	X-06-26-240	X-06-27-240	X-06-28-240	-	-
250	X-06-24-250	X-06-25-250	X-06-26-250	X-06-27-250	X-06-28-250	X-06-29-250	-
255	-	X-06-25-255	X-06-26-255	X-06-27-255	X-06-28-255	X-06-29-255	-
260	-	X-06-25-260	X-06-26-260	X-06-27-260	X-06-28-260	X-06-29-260	-
265	-	-	X-06-26-265	X-06-27-265	X-06-28-265	X-06-29-265	-
270	-	-	X-06-26-270	X-06-27-270	X-06-28-270	X-06-29-270	X-06-30-270
280	-	-	X-06-26-280	X-06-27-280	X-06-28-280	X-06-29-280	X-06-30-280
290	-	-	X-06-26-290	X-06-27-290	X-06-28-290	X-06-29-290	X-06-30-290
295	-	-	X-06-26-295	X-06-27-295	X-06-28-295	X-06-29-295	X-06-30-295
300	-	-	X-06-26-300	X-06-27-300	X-06-28-300	X-06-29-300	X-06-30-300
310	-	-	X-06-26-310	X-06-27-310	X-06-28-310	X-06-29-310	X-06-30-310
315	-	-	X-06-26-315	X-06-27-315	X-06-28-315	X-06-29-315	X-06-30-315
320	-	-	X-06-26-320	X-06-27-320	X-06-28-320	X-06-29-320	X-06-30-320
330	-	-	X-06-26-330	X-06-27-330	X-06-28-330	X-06-29-330	X-06-30-330
335	-	-	X-06-26-335	X-06-27-335	X-06-28-335	X-06-29-335	X-06-30-335
340	-	-	X-06-26-340	X-06-27-340	X-06-28-340	X-06-29-340	X-06-30-340
350	-	-	X-06-26-350	X-06-27-350	X-06-28-350	X-06-29-350	X-06-30-350
355	-	-	X-06-26-355	X-06-27-355	X-06-28-355	X-06-29-355	X-06-30-355
360	-	-	X-06-26-360	X-06-27-360	X-06-28-360	X-06-29-360	X-06-30-360
365	-	-	X-06-26-365	X-06-27-365	X-06-28-365	X-06-29-365	X-06-30-365
370	-	-	X-06-26-370	X-06-27-370	X-06-28-370	X-06-29-370	X-06-30-370
375	-	-	-	-	-	X-06-29-375	X-06-30-375
380	-	-	-	-	-	X-06-29-380	X-06-30-380
390	-	-	-	-	-	X-06-29-390	X-06-30-390
400	-	-	-	-	-	X-06-29-400	X-06-30-400
410	-	-	-	-	-	X-06-29-410	X-06-30-410
420	-	-	-	-	-	X-06-29-420	X-06-30-420
430	-	-	-	-	-	X-06-29-430	X-06-30-430



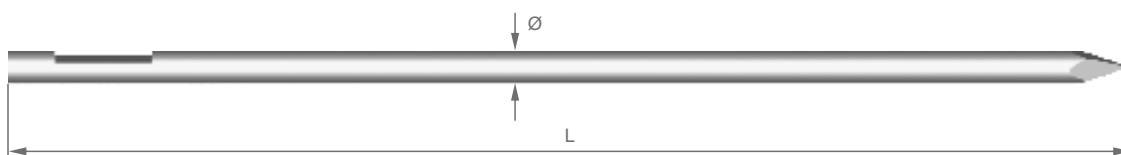
DRUT HACHETHALA
HACHETHAL WIRE

Ø (mm)	L (mm)	A	L (mm)	A	L (mm)	A
1,6	330	X-06-31-16	300	X-06-31-16/30	250	X-06-31-16/25
2,0		X-06-31-20		X-06-31-20/30		X-06-31-20/25
2,5		X-06-31-25		X-06-31-25/30		X-06-31-25/25
3,0		X-06-31-30		X-06-31-30/30		X-06-31-30/25



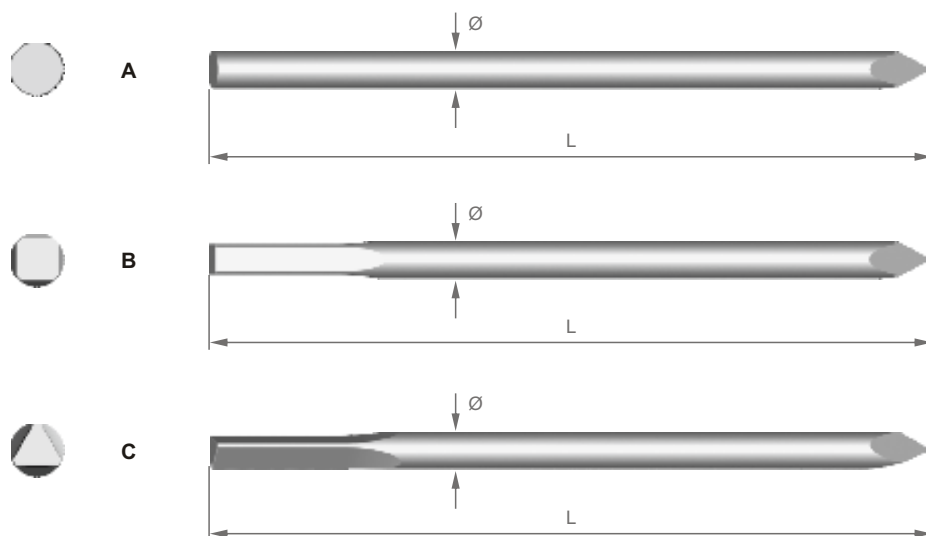
GWÓDZ NYSTRÖM - SZULC
NYSTRÖM - SZULC NAIL

L (mm)	Nr kat.
70	X-06-34-07
80	X-06-34-08
90	X-06-34-09
100	X-06-34-10
110	X-06-34-11
120	X-06-34-12
130	X-06-34-13
140	X-06-34-14



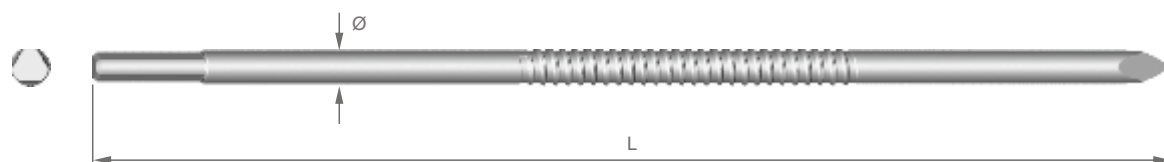
GWÓDZ STEINMANN - GRUCA
STEINMANN - GRUCA NAIL

Ø (mm)	L (mm)	A	Ø (mm)	L (mm)	A
3,0	80	X-06-35-01	4,0	170	X-06-35-05
3,0	90	X-06-35-02	4,0	190	X-06-35-06
3,0	100	X-06-35-03	4,0	210	X-06-35-07
3,0	120	X-06-35-08	5,0	80	X-06-35-20
3,0	140	X-06-35-09	5,0	90	X-06-35-21
3,0	170	X-06-35-10	5,0	100	X-06-35-22
3,0	190	X-06-35-11	5,0	120	X-06-35-23
3,0	210	X-06-35-12	5,0	140	X-06-35-24
4,0	80	X-06-35-13	5,0	150	X-06-35-25
4,0	90	X-06-35-14	5,0	160	X-06-35-26
4,0	100	X-06-35-15	5,0	170	X-06-35-27
4,0	120	X-06-35-16	5,0	190	X-06-35-28
4,0	140	X-06-35-04	5,0	210	X-06-35-29



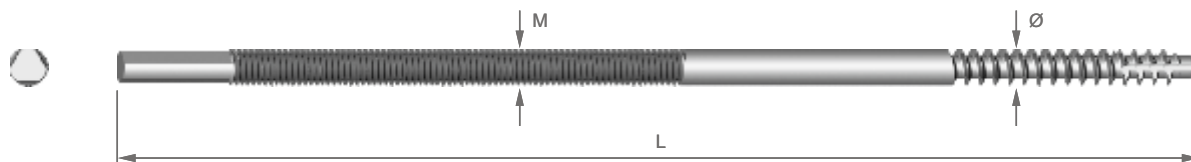
**GROT STEINMANN'A
STEINMANN PIN**

L (mm)	Ø=4,0mm			Ø=4,5mm			Ø=5,0mm		
	A	B	C	A	B	C	A	B	C
80	X-06-37-08	X-06-38-08	X-06-39-08	X-06-40-08	X-06-41-08	X-06-42-08	X-06-43-08	X-06-44-08	X-06-45-08
90	X-06-37-09	X-06-38-09	X-06-39-09	X-06-40-09	X-06-41-09	X-06-42-09	X-06-43-09	X-06-44-09	X-06-45-09
100	X-06-37-10	X-06-38-10	X-06-39-10	X-06-40-10	X-06-41-10	X-06-42-10	X-06-43-10	X-06-44-10	X-06-45-10
110	X-06-37-11	X-06-38-11	X-06-39-11	X-06-40-11	X-06-41-11	X-06-42-11	X-06-43-11	X-06-44-11	X-06-45-11
120	X-06-37-12	X-06-38-12	X-06-39-12	X-06-40-12	X-06-41-12	X-06-42-12	X-06-43-12	X-06-44-12	X-06-45-12
130	X-06-37-13	X-06-38-13	X-06-39-13	X-06-40-13	X-06-41-13	X-06-42-13	X-06-43-13	X-06-44-13	X-06-45-13
140	X-06-37-14	X-06-38-14	X-06-39-14	X-06-40-14	X-06-41-14	X-06-42-14	X-06-43-14	X-06-44-14	X-06-45-14
150	X-06-37-15	X-06-38-15	X-06-39-15	X-06-40-15	X-06-41-15	X-06-42-15	X-06-43-15	X-06-44-15	X-06-45-15
160	X-06-37-16	X-06-38-16	X-06-39-16	X-06-40-16	X-06-41-16	X-06-42-16	X-06-43-16	X-06-44-16	X-06-45-16
170	X-06-37-17	X-06-38-17	X-06-39-17	X-06-40-17	X-06-41-17	X-06-42-17	X-06-43-17	X-06-44-17	X-06-45-17
180	X-06-37-18	X-06-38-18	X-06-39-18	X-06-40-18	X-06-41-18	X-06-42-18	X-06-43-18	X-06-44-18	X-06-45-18
190	X-06-37-19	X-06-38-19	X-06-39-19	X-06-40-19	X-06-41-19	X-06-42-19	X-06-43-19	X-06-44-19	X-06-45-19
200	X-06-37-20	X-06-38-20	X-06-39-20	X-06-40-20	X-06-41-20	X-06-42-20	X-06-43-20	X-06-44-20	X-06-45-20
210	X-06-37-21	X-06-38-21	X-06-39-21	X-06-40-21	X-06-41-21	X-06-42-21	X-06-43-21	X-06-44-21	X-06-45-21
220	X-06-37-22	X-06-38-22	X-06-39-22	X-06-40-22	X-06-41-22	X-06-42-22	X-06-43-22	X-06-44-22	X-06-45-22
250	X-06-37-25	X-06-38-25	X-06-39-25	X-06-40-25	X-06-41-25	X-06-42-25	X-06-43-25	X-06-44-25	X-06-45-25
280	X-06-37-28	X-06-38-28	X-06-39-28	X-06-40-28	X-06-41-28	X-06-42-28	X-06-43-28	X-06-44-28	X-06-45-28
300	X-06-37-30	X-06-38-30	X-06-39-30	X-06-40-30	X-06-41-30	X-06-42-30	X-06-43-30	X-06-44-30	X-06-45-30



**GROTOWKRĘT STEINMANN
STEINMANN SCREW**

L (mm)	Ø=4,0mm	Ø=4,5mm	Ø=5,0mm	Ø=3,0mm
150	X-06-46-15	X-06-47-15	X-06-48-15	X-06-50-15
180	X-06-46-18	X-06-47-18	X-06-48-18	X-06-50-18
200	X-06-46-20	X-06-47-20	X-06-48-20	X-06-50-20
220	X-06-46-22	X-06-47-22	X-06-48-22	X-06-50-22
250	X-06-46-25	X-06-47-25	X-06-48-25	X-06-50-25
280	X-06-46-28	X-06-47-28	X-06-48-28	X-06-50-28
300	X-06-46-30	X-06-47-30	X-06-48-30	X-06-50-30



WKREŃT "R"
SCREW "R"

L (mm)	Ø (mm)	M (mm)	Nr kat.
150	5,0	M5	X-06-49-01
150	6,0	M6	X-06-49-02
150	7,0	M7	X-06-49-03
180	5,0	M5	X-06-49-04
180	6,0	M6	X-06-49-05
180	7,0	M7	X-06-49-06

NAKRĘTKA 1szt./kpl .
CAP

M (mm)	Nr kat.
M5	X-06-49-10
M6	X-06-49-11
M7	X-06-49-12

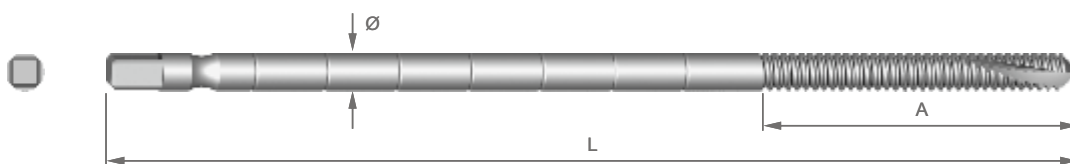
TULEJKA IZOLACYJNA 1szt./kpl.
INSULATING SLEEVE

Ø (mm)	Nr kat.
5,0	X-06-49-20
6,0	X-06-49-21
7,0	X-06-49-22



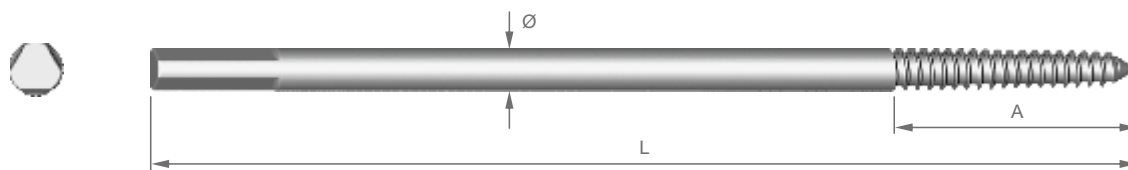
GROTOWKRĘT SZCHANZA
SZCHANZ SCREW

L (mm)	Ø=2,5mm	Ø=3,0mm	Ø=4,0mm	Ø=4,5mm	Ø=5,0mm	Ø=6,0mm	Ø=7,0mm
40	X-06-52-04	X-06-53-04	X-06-54-04	X-06-55-04	X-06-56-04	X-06-57-04	X-06-58-04
60	X-06-52-06	X-06-53-06	X-06-54-06	X-06-55-06	X-06-56-06	X-06-57-06	X-06-58-06
80	X-06-52-08	X-06-53-08	X-06-54-08	X-06-55-08	X-06-56-08	X-06-57-08	X-06-58-08
100	X-06-52-10	X-06-53-10	X-06-54-10	X-06-55-10	X-06-56-10	X-06-57-10	X-06-58-10
120	X-06-52-12	X-06-53-12	X-06-54-12	X-06-55-12	X-06-56-12	X-06-57-12	X-06-58-12
130	X-06-52-13	X-06-53-13	X-06-54-13	X-06-55-13	X-06-56-13	X-06-57-13	X-06-58-13
150	X-06-52-15	X-06-53-15	X-06-54-15	X-06-55-15	X-06-56-15	X-06-57-15	X-06-58-15
180	X-06-52-18	X-06-53-18	X-06-54-18	X-06-55-18	X-06-56-18	X-06-57-18	X-06-58-18
200	X-06-52-20	X-06-53-20	X-06-54-20	X-06-55-20	X-06-56-20	X-06-57-20	X-06-58-20
220	X-06-52-22	X-06-53-22	X-06-54-22	X-06-55-22	X-06-56-22	X-06-57-22	X-06-58-22
250	X-06-52-25	X-06-53-25	X-06-54-25	X-06-55-25	X-06-56-25	X-06-57-25	X-06-58-25
280	X-06-52-28	X-06-53-28	X-06-54-28	X-06-55-28	X-06-56-28	X-06-57-28	X-06-58-28
300	X-06-52-30	X-06-53-30	X-06-54-30	X-06-55-30	X-06-56-30	X-06-57-30	X-06-58-30



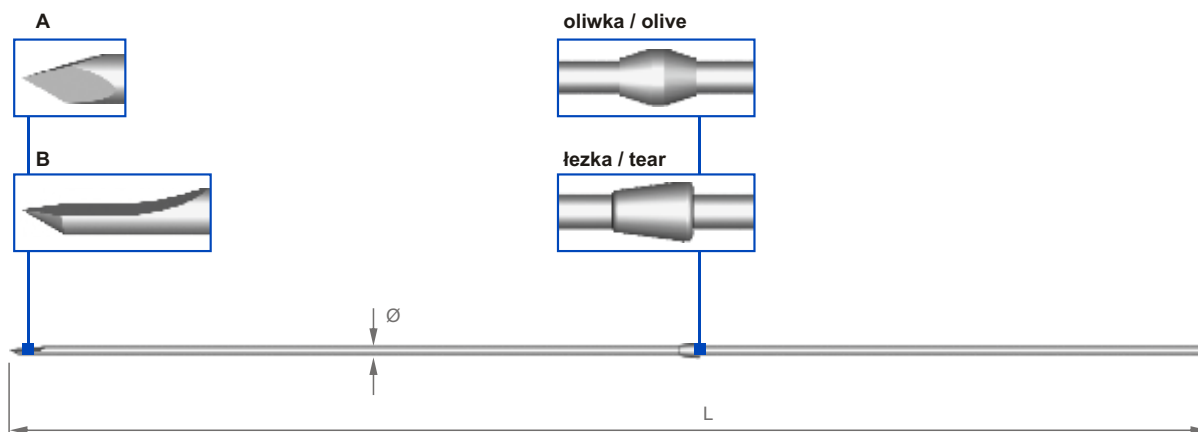
GROTOWKRĘT APEX
APEX SCREW

Ø (mm)	L (mm)	A (mm)	Nr kat.	Ø (mm)	L (mm)	A (mm)	Nr kat.	Ø (mm)	L (mm)	A (mm)	Nr kat.	Ø (mm)	L (mm)	A (mm)	Nr kat.
4,0	95	35	X-06-59-02	3,0	60	10	X-06-59-30	4,0	120	30	X-06-59-44	5,0	150	50	X-06-59-54
4,0	135	45	X-06-59-03	3,0	80	10	X-06-59-31	4,0	120	35	X-06-59-45	5,0	175	55	X-06-59-55
4,0	180	55	X-06-59-04	3,0	80	15	X-06-59-32	4,0	150	40	X-06-59-46	5,0	180	60	X-06-59-56
5,0	95	35	X-06-59-12	3,0	80	20	X-06-59-33	4,0	150	50	X-06-59-47	5,0	200	50	X-06-59-57
5,0	135	45	X-06-59-13	3,0	110	10	X-06-59-34	4,0	175	50	X-06-59-48	5,0	200	60	X-06-59-58
5,0	180	55	X-06-59-14	3,0	110	25	X-06-59-35	4,0	180	50	X-06-59-49	5,0	250	50	X-06-59-59
6,0	95	35	X-06-59-22	4,0	90	10	X-06-59-41	5,0	120	30	X-06-59-51	5,0	250	70	X-06-59-60
6,0	135	45	X-06-59-23	4,0	90	20	X-06-59-42	5,0	120	35	X-06-59-52	6,0	150	50	X-06-59-71
6,0	180	55	X-06-59-24	4,0	90	30	X-06-59-43	5,0	150	40	X-06-59-53	6,0	180	60	X-06-59-72
												6,0	200	70	X-06-59-73
												6,0	250	80	X-06-59-74



**GROTOWKRĘT STOŻKOWY
CONICAL SCREW**

L (mm)	A (mm)	Ø=2,5mm	Ø=3,0mm	Ø=4,0mm	Ø=4,5mm	Ø=5,0mm	Ø=6,0mm	GABCZASTY Cancellous Ø=6,0mm
60	20	X-06-61-01	X-06-62-01	X-06-63-01	X-06-64-01	X-06-65-01	X-06-66-01	X-06-67-01
60	25	X-06-61-02	X-06-62-02	X-06-63-02	X-06-64-02	X-06-65-02	X-06-66-	-
60	30	-	-	X-06-63-03	X-06-64-03	X-06-65-03	X-06-66-	-
80	20	X-06-61-03	X-06-62-03	-	-	-	-	-
80	25	X-06-61-04	X-06-62-04	-	X-06-64-04	X-06-65-04	-	-
80	30	X-06-61-05	X-06-62-05	X-06-63-04	X-06-64-05	X-06-65-05	X-06-66-	X-06-67-02
80	40	-	-	X-06-63-05	-	-	X-06-66-	X-06-67-03
100	25	X-06-61-06	X-06-62-06	-	-	-	-	-
100	30	X-06-61-07	X-06-62-07	X-06-63-06	X-06-64-06	X-06-65-06	X-06-66-	X-06-67-04
100	40	-	-	X-06-63-07	X-06-64-07	X-06-65-07	X-06-66-	X-06-67-05
120	30	X-06-61-08	X-06-62-08	X-06-63-08	X-06-64-08	X-06-65-08	X-06-66-	X-06-67-06
120	40	X-06-61-09	X-06-62-09	X-06-63-09	X-06-64-09	X-06-65-09	X-06-66-	X-06-67-07
120	50	-	-	-	-	-	-	X-06-67-08
120	60	-	-	-	-	-	-	X-06-67-09
130	30	X-06-61-10	X-06-62-10	X-06-63-10	X-06-64-10	X-06-65-10	X-06-66-	-
130	40	X-06-61-11	X-06-62-11	X-06-63-11	X-06-64-11	X-06-65-11	X-06-66-	X-06-67-10
130	50	-	-	-	X-06-64-12	X-06-65-12	X-06-66-	X-06-67-11
130	60	-	-	-	-	-	-	X-06-67-12
150	40	X-06-61-12	X-06-62-12	X-06-63-12	X-06-64-13	X-06-65-13	X-06-66-	-
150	50	-	-	-	-	X-06-65-14	X-06-66-	X-06-67-13
150	60	-	-	-	-	X-06-65-15	X-06-66-	X-06-67-14
180	40	X-06-61-13	X-06-62-13	X-06-63-13	X-06-64-14	X-06-65-16	X-06-66-	-
180	50	X-06-61-14	X-06-62-14	X-06-63-14	X-06-64-15	X-06-65-17	X-06-66-	-
180	60	-	-	-	-	X-06-65-18	X-06-66-	-
180	70	-	-	-	-	-	X-06-66-	X-06-67-15
180	80	-	-	-	-	-	X-06-66-	X-06-67-16
180	90	-	-	-	-	-	X-06-66-	X-06-67-17
180	100	-	-	-	-	-	X-06-66-	X-06-67-18
200	40	X-06-61-15	X-06-62-15	X-06-63-15	X-06-64-16	X-06-65-19	X-06-66-	-
200	50	X-06-61-16	X-06-62-16	X-06-63-16	X-06-64-17	X-06-65-20	X-06-66-	-
200	60	-	-	-	-	X-06-65-21	X-06-66-	-
200	70	-	-	-	-	-	X-06-66-	X-06-67-19
200	80	-	-	-	-	-	X-06-66-	X-06-67-20
200	90	-	-	-	-	-	X-06-66-	X-06-67-21
200	100	-	-	-	-	-	X-06-66-	X-06-67-22
220	50	X-06-61-17	X-06-62-17	X-06-63-17	X-06-64-18	X-06-65-22	X-06-66-	-
220	60	-	-	-	-	X-06-65-23	X-06-66-	-
220	70	-	-	-	-	-	X-06-66-	-
220	80	-	-	-	-	-	X-06-66-	-
220	90	-	-	-	-	-	X-06-66-	-
220	100	-	-	-	-	-	X-06-66-	-
250	50	X-06-61-18	X-06-62-18	X-06-63-18	X-06-64-19	X-06-65-24	X-06-66-	-
250	60	-	-	-	-	X-06-65-25	X-06-66-	-
250	70	-	-	-	-	-	X-06-66-	-
250	80	-	-	-	-	-	X-06-66-	-
250	90	-	-	-	-	-	X-06-66-	-
250	100	-	-	-	-	-	X-06-66-	-



**GWÓŹDZ KOSTNY Z OGRANICZNIKIEM
BONE NAIL WITH LIMITER**

L (mm)	Ø (mm)	OSTRZE BLADE	OLIWKA OLIVE	ŁEZKA TEAR
330	1,5	A	X-06-68-01	X-06-69-01
330	1,8	A	X-06-68-02	X-06-69-02
330	2,0	A	X-06-68-03	X-06-69-03
330	2,5	A	X-06-68-04	X-06-69-04
380	1,5	A	X-06-68-05	X-06-69-05
380	1,8	A	X-06-68-06	X-06-69-06
380	2,0	A	X-06-68-07	X-06-69-07
380	2,5	A	X-06-68-08	X-06-69-08
330	1,5	B	X-06-68-11	X-06-69-11
330	1,8	B	X-06-68-12	X-06-69-12
330	2,0	B	X-06-68-13	X-06-69-13
330	2,5	B	X-06-68-14	X-06-69-14
380	1,5	B	X-06-68-15	X-06-69-15
380	1,8	B	X-06-68-16	X-06-69-16
380	2,0	B	X-06-68-17	X-06-69-17
380	2,8	B	X-06-68-18	X-06-69-18



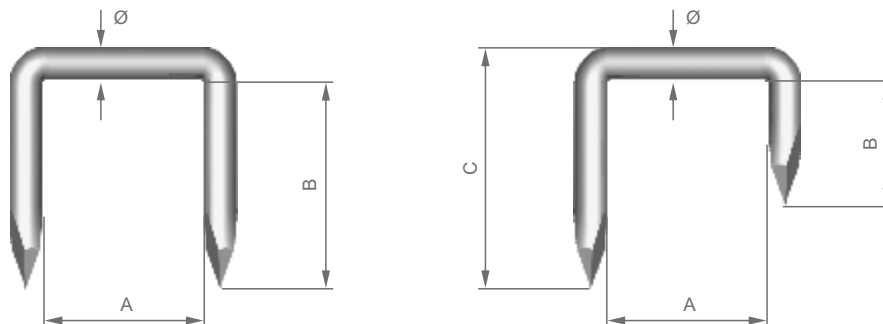
**DRUT DO CERKLARZU L=5 m
WIRE FOR CERCLAGE L=5 m**

Ø (mm)	miękki soft	twardy hard
0,2	X-06-90-02	X-06-91-02
0,3	X-06-90-03	X-06-91-03
0,4	X-06-90-04	X-06-91-04
0,5	X-06-90-05	X-06-91-05
0,6	X-06-90-06	X-06-91-06
0,7	X-06-90-07	X-06-91-07
0,8	X-06-90-08	X-06-91-08
0,9	X-06-90-09	X-06-91-09
1,0	X-06-90-10	X-06-91-10
1,2	X-06-90-12	X-06-91-12
1,5	X-06-90-15	X-06-91-15



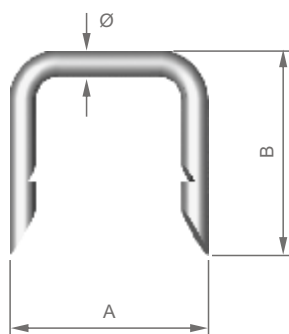
**DRUT DO CERKLARZU PROSTY Z OCZKIEM
WIRE FOR CERCLAGE WITH EYE**

L (mm)	Ø (mm)	Nr kat.
280	8,0	X-06-142-280
280	1,0	X-06-143-280
280	1,2	X-06-144-280
280	1,5	X-06-145-280
350	1,0	X-06-143-350
350	1,2	X-06-144-350
350	1,5	X-06-145-350
600	1,0	X-06-143-600
600	1,2	X-06-144-600
600	1,5	X-06-145-600

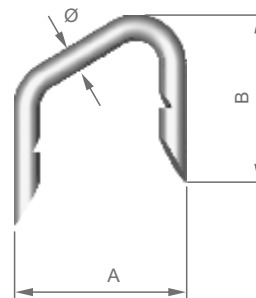


**KLAMRA WILBERGA
WILBERG STAPLE**

A (mm)	B (mm)	C (mm)	Ø=2,5mm	Ø=3,0mm	Ø=3,5mm	Ø=4,0mm
15	20	-	X-06-70-01	X-06-70-04	X-06-70-07	X-06-70-10
20	20	-	X-06-70-02	X-06-70-05	X-06-70-08	X-06-70-11
20	25	-	X-06-70-03	X-06-70-06	X-06-70-09	X-06-70-12
15	10	20	X-06-71-01	X-06-71-04	X-06-71-07	X-06-71-10
20	10	20	X-06-71-02	X-06-71-05	X-06-71-08	X-06-71-11
20	15	25	X-06-71-03	X-06-71-06	X-06-71-09	X-06-71-12



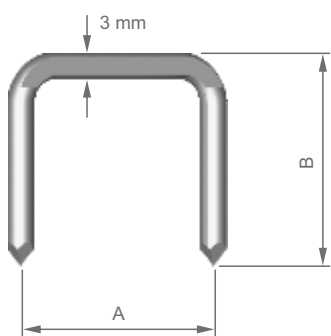
TYP I / TYPE I



TYP II / TYPE II

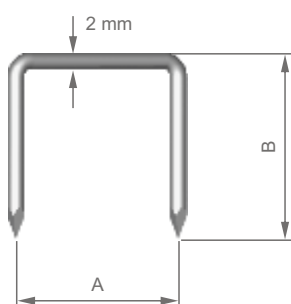
**KLAMRY KOSTNE
BONE STAPLES**

Ø (mm)	A (mm)	B (mm)	TYP I TYPE I	TYP II TYPE II
3,2	20	25	X-06-73-01	X-06-74-01
3,2	25	25	X-06-73-02	X-06-74-02
3,2	30	25	X-06-73-03	X-06-74-03
3,2	35	25	X-06-73-04	X-06-74-04
3,2	40	25	X-06-73-05	X-06-74-05
3,2	20	30	X-06-73-06	X-06-74-06
3,2	25	30	X-06-73-07	X-06-74-07
3,2	30	30	X-06-73-08	X-06-74-08
3,2	35	30	X-06-73-09	X-06-74-09
3,2	40	30	X-06-73-10	X-06-74-10
2,5	20	15	X-06-73-11	X-06-74-11
2,5	25	15	X-06-73-12	X-06-74-12
2,5	30	15	X-06-73-13	X-06-74-13
2,5	20	20	X-06-73-14	X-06-74-14
2,5	25	20	X-06-73-15	X-06-74-15
2,5	30	20	X-06-73-16	X-06-74-16



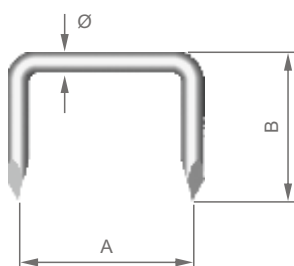
**KLAMRA KOSTNA
BONE STAPLE**

A (mm)	B (mm)	Nr kat.
18	20	X-06-77-01
25	20	X-06-77-02



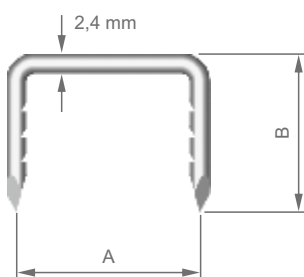
**KLAMRA KOSTNA
BONE STAPLE**

A (mm)	B (mm)	Nr kat.
10	19	X-06-79-01
16	22	X-06-79-02
22	22	X-06-79-03



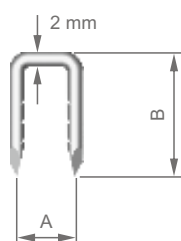
**KLAMRA KOSTNA
BONE STAPLE**

Ø (mm)	A (mm)	B (mm)	Nr kat.
1,6	16	19	X-06-81-01
1,6	22	19	X-06-81-02
2,4	16	19	X-06-81-03
2,4	22	19	X-06-81-04
2,8	16	19	X-06-81-05
2,8	22	19	X-06-81-06



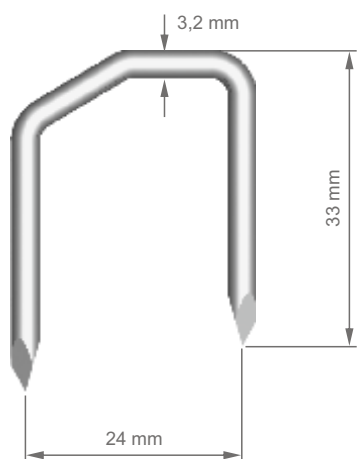
**KLAMRA KOSTNA
BONE STAPLE**

A (mm)	B (mm)	Nr kat.
16	19	X-06-84-01
22	19	X-06-84-02



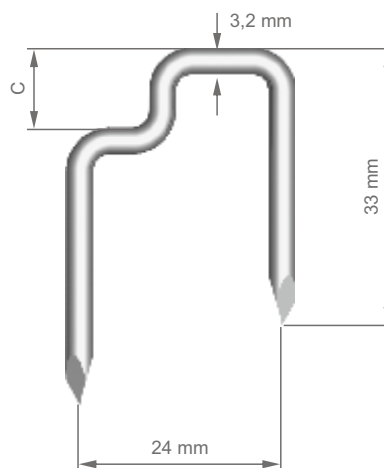
**KLAMRA KOSTNA
BONE STAPLE**

A (mm)	B (mm)	Nr kat.
9	16	X-06-86-01
9	19	X-06-86-02
9	22	X-06-86-03
9	25	X-06-86-04



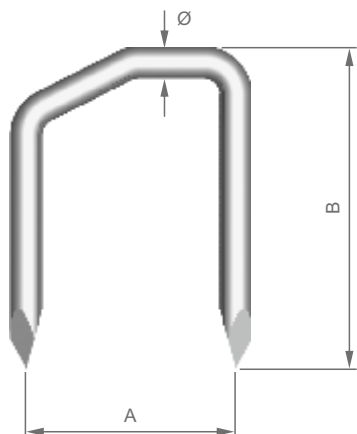
4-06-87-01

KLAMRA KOSTNA
BONE STAPLE



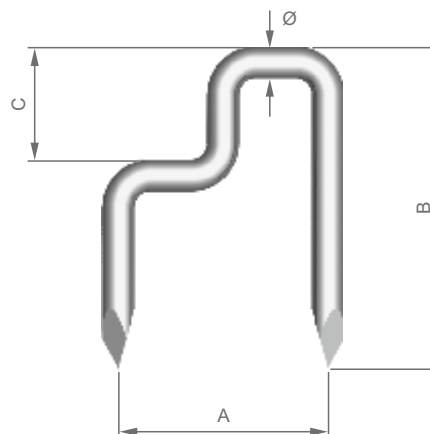
KLAMRA KOSTNA
BONE STAPLE

C (mm)	Nr kat.
9,5	X-06-87-02
14	X-06-87-03



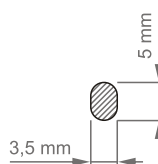
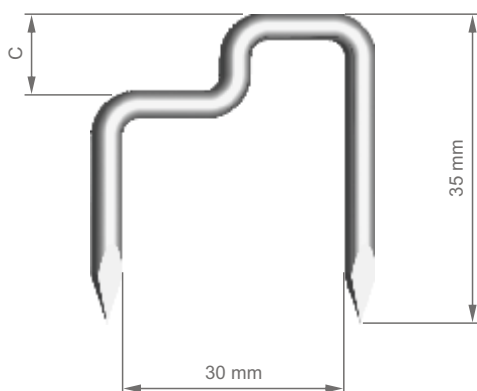
KLAMRA KOSTNA
BONE STAPLE

Ø (mm)	A (mm)	B (mm)	Nr kat.
2,0	24	33	X-06-88-01
3,2	24	33	X-06-88-04
3,2	26	35	X-06-89-01
4,0	26	40	X-06-89-04



KLAMRA KOSTNA
BONE STAPLE

Ø (mm)	A (mm)	B (mm)	C (mm)	Nr kat.
2,0	24	33	9,5	X-06-88-02
2,0	24	33	14	X-06-88-03
3,2	24	33	9,5	X-06-88-05
3,2	24	33	14	X-06-88-06
3,2	26	35	8	X-06-89-02
3,2	26	35	14	X-06-89-03
4,0	26	40	8	X-06-89-05
4,0	26	40	14	X-06-89-06



KLAMRA KOSTNA
BONE STAPLE

C (mm)	Nr kat.
10	X-06-92-01
15	X-06-92-02