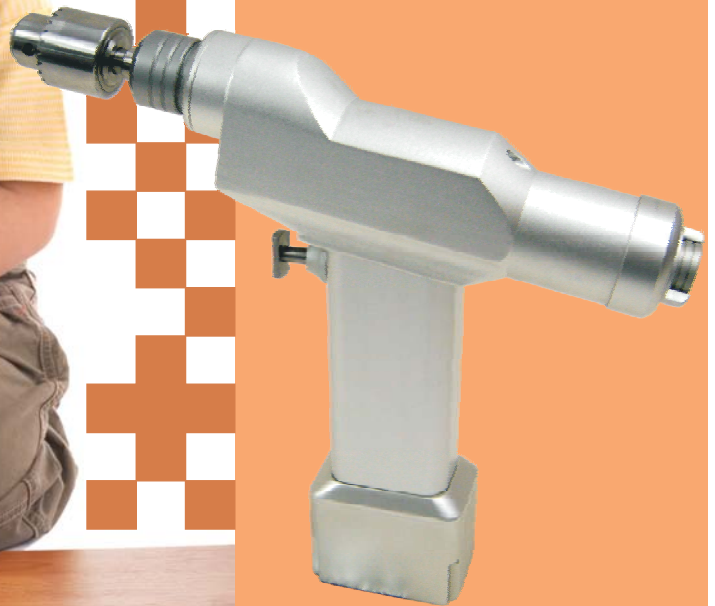




□ Surgical Power tools
Drilling, Reaming and Saw System





BONE DRILLS

...SURGICAL BATTERY POWER DRILLS



SPT17 BATTERY OPERATED CANNULATED REAMING & DRILLING SYSTEM

Set Consisting of:

| | | <i>Units</i> |
|---------|--|--------------|
| SPT17.1 | Battery powered handpiece (with battery) with Synthes Reamer Adapter | 1 |
| SPT01 | Spare Battery | 1 |
| SPT02 | Battery Charger 220V, 50HZ | 1 |
| SPT03 | Sterilizing Ring | 2 |
| SPT04 | Jacob Chuck & Key | 1 |

Usage: Trauma Operation. Dual function, stepless variable speed control

OPTIONAL

| | |
|--------|----------------|
| SPT.08 | Hudson Adapter |
| SPT.09 | Zimmer Adapter |

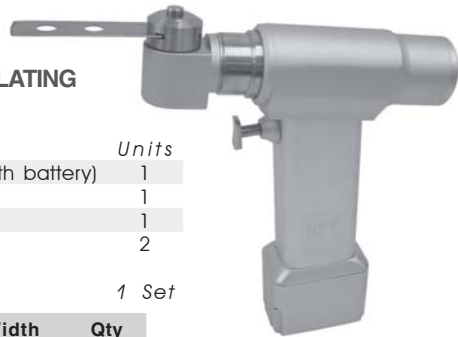
SPT27 BATTERY OPERATED OSCILLATING SAW SYSTEM

Set Consisting of:

| | | <i>Units</i> |
|---------|--|--------------|
| SPT27.1 | Battery powered handpiece (with battery) | 1 |
| SPT01 | Spare Battery | 1 |
| SPT02 | Battery Charger 220V, 50HZ | 1 |
| SPT03 | Sterilizing Ring | 2 |

Set of 3 Blades as below 1 Set

| Code | Cutting Thickness | Usable Length mm | Width mm | Qty |
|----------|-------------------|------------------|----------|-----|
| SPT27.20 | 0.80 | 70 | 22 | 1 |
| SPT27.29 | 1.00 | 90 | 22 | 1 |
| SPT27.35 | 1.00 | 90 | 14 | 1 |



Usage: Joint Operation. Powerful, Stepless Variable Speed Control

SPT37 BATTERY OPERATED ACETABULAR REAMING SYSTEM

| <i>Set Consisting of:</i> | | <i>Units</i> |
|---------------------------|--|--------------|
| SPT37.1 | Battery powered handpiece (with battery) with Synthes Reamer Adapter | 1 |
| SPT01 | Spare Battery | 1 |
| SPT02 | Battery Charger 220V, 50HZ | 1 |
| SPT03 | Sterilizing Ring | 2 |
| SPT04 | Jacob Chuck & Key | 1 |

Usage: Joint Operation. High torque, Low speed, stepless variable speed control

OPTIONAL

| | |
|--------|----------------|
| SPT.08 | Hudson Adapter |
| SPT.09 | Zimmer Adapter |



SPT57 BATTERY OPERATED DRILLING SYSTEM

| <i>Set Consisting of:</i> | | <i>Units</i> |
|---------------------------|---|--------------|
| SPT57.1 | Battery powered handpiece with jacob Chuck & Key (with battery) | 1 |
| SPT01 | Spare Battery | 1 |
| SPT02 | Battery Charger 220V, 50HZ | 1 |
| SPT03 | Sterilizing Ring | 2 |

Usage: Trauma Operation. Powerful, stepless variable speed control





BONE DRILLS

...SURGICAL BATTERY POWER DRILLS



SPARES OSCILLATING SAW BLADES

| Code | Cutting Thickness | Usable Length mm | Width mm |
|----------|-------------------|------------------|----------|
| SPT27.20 | 0.80 | 70 | 22 |
| SPT27.23 | 0.80 | 70 | 18 |
| SPT27.26 | 0.80 | 90 | 14 |
| SPT27.29 | 0.80 | 90 | 22 |
| SPT27.32 | 1.00 | 70 | 22 |
| SPT27.35 | 1.00 | 90 | 14 |
| SPT27.38 | 1.00 | 90 | 22 |
| SPT27.41 | 1.00 | 90 | 10 |
| SPT27.44 | 1.20 | 70 | 22 |
| SPT27.47 | 1.20 | 90 | 14 |
| SPT27.50 | 1.20 | 90 | 22 |
| SPT27.53 | 1.20 | 90 | 10 |
| SPT27.56 | 1.27 | 70 | 22 |
| SPT27.59 | 1.27 | 90 | 14 |
| SPT27.62 | 1.27 | 90 | 22 |
| SPT27.65 | 1.27 | 90 | 10 |



Spare Battery
Code No.: SPT01



Sterilizing Ring
Code No.: SPT03



Battery Charger 220V, 50HZ
Code No.: SPT02



Jacob Chuck & Key
Code No.: SPT04



Hudson Adapter
Code No.: SPT08



Zimmer Adapter
Code No.: SPT09

DRILL & SAW SYSTEM
(Electrically Operated - 220V, 50 Hz)

| Code No. | Description |
|---|--|
| ODS01 | Driving Unit includes Motor Stand, Foot Control, Flexible Shaft, Tool Kit, Oil Bottle & Special Container. |
| Specifications: | |
| - NET Driving Unit is having a Motor 220V / 5 amp AC with Mobile Stand made up of Stainless Steel tubes with castors. | |
| - NET Driving Unit includes Motor, Stand, Foot Control, Flexible Shaft. | |
| - Requires to run all NET power tools. | |
| - NET Flexible Shaft is Autoclavable. It can withstand to superheated steam temperatures. | |
| ODS03 | Cannulated Drilling Handpiece (1200 RPM) |
| ODS07 | Sagittal Saw Handpiece (With Set of 5 Blades) |
| ODS11 | Reaming Handpiece Cannulated, Quick Coupling |

Optional Instruments:
(To be Ordered Separately)

| | |
|-------|---------------------------------------|
| ODS52 | Transverse Saw (with Set of 5 Blades) |
|-------|---------------------------------------|



Code No.: ODS03



Code No.: ODS07



Code No.: ODS01



Code No.: ODS11



Code No.: ODS52



DRILL & SAW SYSTEM

...DRILL ACCESSORIES (OPTIONAL)

(To be Ordered Separately)

| Code No. | Description |
|----------|--|
| 507.038 | Flexible Reaming Shaft with Fixed Reamer, Dia. 8mm |
| 507.03 | Flexible Reamer Shaft only (For Reamer Head upto 13mm.). |
| 507.23 | Flexible Reamer Shaft only (For Reamer Head from 13.5mm to 15mm.). |
| 510.9 | Medullary Reamer, Size 9mm. |
| 510.95 | Medullary Reamer, Size 9.5mm. |
| 510.10 | Medullary Reamer, Size 10mm. |
| 510.105 | Medullary Reamer, Size 10.5mm. |
| 510.11 | Medullary Reamer, Size 11mm. |
| 510.115 | Medullary Reamer, Size 11.5mm. |
| 510.12 | Medullary Reamer, Size 12mm. |
| 510.125 | Medullary Reamer, Size 12.5mm. |
| 510.13 | Medullary Reamer, Size 13mm. |
| 510.135 | Medullary Reamer, Size 13.5mm. |
| 510.14 | Medullary Reamer, Size 14mm. |
| 510.145 | Medullary Reamer, Size 14.5mm. |
| 510.15 | Medullary Reamer, Size 15mm. |
| ODS41 | Synthes Adpater, Stainless Steel. |
| ODS43 | Trinkle Fit Adapter, Stainless Steel |
| ODS45 | Hudson Adapter, Stainless Steel |
| ODS47 | Drill Chuck Adapter, Stainless Steel |
| ODS49 | Flexible Shaft for Driving Unit (Extra) |
| ODS51 | Spare Set of Blades |
| ODS60 | Spare Oil Bottle, 30 ml. |



Code No.: ODS41



Code No.: ODS43



Code No.: ODS45



Code No.: ODS47



Flexible Reaming Shaft with Fixed Reamer, Dia. 8.0mm.

Code No.: 507.038



Medullary Reamer

(Size: 9 to 15mm with 0.5mm difference)

Code No.: 510.9 to 510.15

Flexible Reaming Shaft

Code No.: 507.03 (for Reamer Head 9 to 13mm)
Code No.: 507.23 (for Reamer Head 13.5 to 15mm)



Code No.: ODS49



Code No.: ODS51



Code No.: ODS60



**Universal Bone Drill
with S.S. Closed Gears**
Code No.: 320.010



**Universal Open Hand Drill
with S.S. Gears**
Code No.: 320.030



**Micro Hand Drill
with S.S. Closed Gears**
Code No.: 320.020



Micro Open Hand Drill
Code No.: 320.040



**Electric Bone Drill (Cannulated)
with Foot Control (220V 50Hz AC)**
Code No.: 399.010



Mini Hand Drill
Code No.: 311.033

